



**BUILDER'S KIT**


# WRAITH<sup>TM</sup> SPAWN

ALL TERRAIN STRAIGHT AXLE  
**ROCK RACER**  
1/10th SCALE ELECTRIC 4WD





## CAUTIONS

 **To prevent serious personal injury and/or property damage, operate all remotely controlled models in a responsible manner as outlined herein.**

### **CHOOSE THE RIGHT PLACE TO OPERATE YOUR R/C MODEL.**

- Do not run on public streets or highways. This could cause serious accidents, personal injuries, and/or property damage.
- Never run R/C models near people or animals.
- To avoid injury, do not run in confined spaces.
- Do not run where loud noises can disturb others, such as hospitals and residential areas.
- Never run indoors. There is a high risk of fire and/or damage.


### **INSPECT YOUR MODEL BEFORE OPERATION.**

- Make sure that all screws and nuts are properly tightened. It is also a good idea to use removable thread lock wherever metal screws go into metal, especially for engine mounts and the engine pilot shaft.
- Always use fresh batteries for your transmitter and for your receiver to avoid losing control of the model.
- Always test the brakes and throttle before starting your engine to avoid losing control of the model.
- Make sure no one else is using the same radio frequency as you are using.

### **AFTER OPERATION OF YOUR R/C MODEL**

- Turn off receiver first, then turn off transmitter, this will prevent runaways.
- Be careful when handling batteries, they will be hot after running.
- Replace any batteries that have been dented or have frayed wires, short circuits can cause fire.
- Be sure to keep your R/C model clean and free of excess dirt and grease, this will increase the life.

## VORSICHT!

 **Um Verletzungen an Personen und/oder Sachschäden zu vermeiden, sollten alle ferngesteuerten Modelle sorgfältig und verantwortungsbewusst bedient werden, wie nachfolgend beschrieben.**

### **Wählen Sie den richtigen Platz zum Fahren**

- Fahren Sie niemals auf öffentlichen Straßen. Dies könnte Verkehrsunfälle, Personen schäden oder Sachschäden verursachen.
- Fahren Sie niemals in der Nähe von anderen Personen oder Tieren.
- Fahren Sie niemals auf belebten Straßen.
- Fahren Sie nie in der Nähe von Wohnhäusern oder Krankenhäusern. Der Lärm könnte andere Personen stören.
- Fahren Sie niemals in Innenräumen. Dort könnte etwas beschädigt werden.

### **Überprüfen Sie Ihr Modell, bevor Sie es in Betrieb nehmen.**

- Gehen Sie sicher, dass alle Schrauben und Muttern festgezogen sind. Verwenden Sie überall dort Schrauben-Sicherungslack, wo Metallschrauben in ein Metallgewinde greifen, besonders bei den Motorhaltern.
- Um Störungen zu vermeiden, benutzen Sie immer voll geladene Akkus in Ihrem Sender und Empfänger.
- Bevor Sie den Motor starten, sollten Sie immer die Funktion der Bremse und des Gashebels testen.
- Gehen Sie sicher, dass niemand mit der gleichen Frequenz fährt wie Sie.

### **Nach Betrieb des RC Modells:**

- Zuerst den Empfänger abdrehen, dann den Sender abdrehen um unkontrolliertes Durchgehen zu vermeiden.
- Seien Sie vorsichtig mit gebrauchten Akkus, sie können nach dem Gebrauch heiß sein.
- Ersetzen Sie Akkus/Batterien die beschädigt sind oder schadhafte Kabel aufweisen, sie können Kurzschlüsse oder Feuer verursachen.
- Halten Sie Ihr Fahrzeug sauber und entfernen Sie Schmutz und Schmierfett, damit erhöhen Sie die Lebensdauer Ihres Modells.

## PRECAUTIONS

 **Afin d'éviter toutes blessures corporelles et/ou dommages environnants, veuillez procéder en toute responsabilité comme indiqué ci-dessous**

### **Choisir le lieu adéquat pour faire rouler votre modèle.**

- Ne jamais rouler dans les rues ou sur les routes ouvertes au public. Ceci peut provoquer de graves accidents.
- Ne jamais rouler près de personnes ou d'animaux.
- Pour éviter les blessures, ne pas rouler dans des espaces confinés.
- Ne jamais rouler où le bruit peut déranger, comme aux abords des hôpitaux ou des quartiers résidentiels.
- Ne jamais rouler à l'intérieur: les gaz d'échappement sont nocifs.

### **Controler votre modèle avant chaque utilisation.**

- Vérifier que les vis et les écrous sont bien serrés. Il est très fortement conseillé d'utiliser du frein filet pour bloquer les vis qui sont en contact avec du métal et tout particulièrement les vis du moteur.
- Toujours utiliser des batteries bien chargées pour l'émission et la réception.
- Toujours vérifier les freins et la commande des gaz avant de démarrer.
- Vérifier qu'aucune autre personne n'utilise votre fréquence radio.

### **Après l'Opération De Votre Modèle de R/C**

- Le virage du récepteur premier, alors virage de l'émetteur, ceci empêchera des fugitifs.
- Faire attention en contrôlant des piles, ils auront chaud après avoir couru.
- Remplacer n'importe quelles piles qui ont été cabossées ou a éraillé des fils, les court-circuits peuvent causer le feu.
- Etre sûr de garder votre modèle de R/C nettoie et libère de terre et la graisse supplémentaires, ceci augmentera la vie.

**Equipment needed / Benötigtes Zubehör / Equipement nécessaire**

**Radio Gear / Fernsteueranlage / Equipement Radio**

**Radio control system**

• You will need a 2-Channel radio system with one servo, receiver, an electronic speed control with an ON/OFF switch.

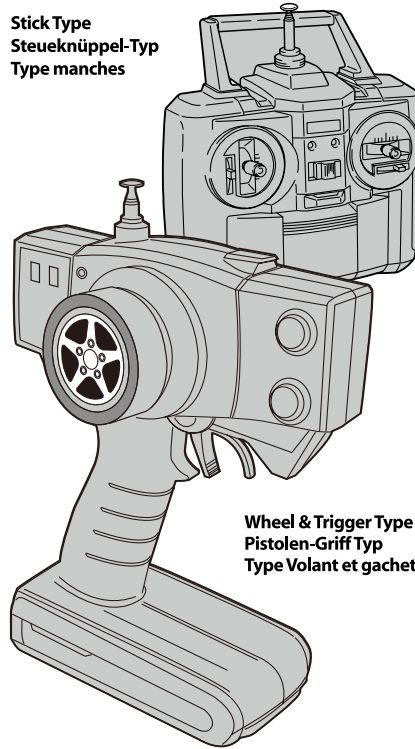
**Fernsteueranlage**

• Sie werden ein 2-kanal Radio System mit einem Servo, Empfänger, eine elektronische Geschwindigkeitssteuerung mit einem Netzschalter brauchen.

**Ensemble radiocommande**

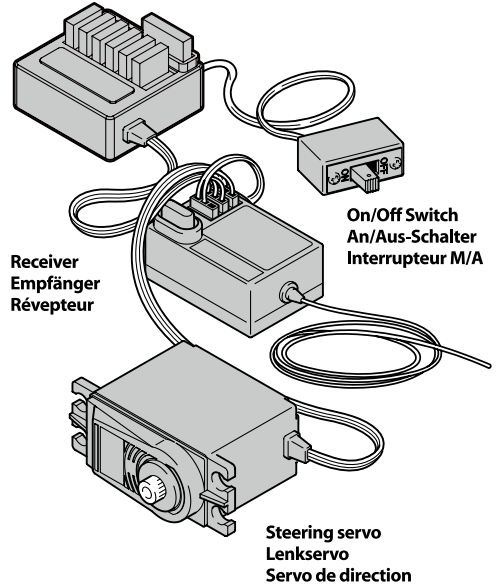
• Vous aurez besoin d'un système de radio de 2 Chaînes avec un servo, le récepteur, un contrôle de vitesse électronique avec un interrupteur(on-off).

Stick Type  
Steuerknüppel-Typ  
Type manches



Wheel & Trigger Type  
Pistolen-Griff Typ  
Type Volant et gachette

Electronics Speed Control with Dual Motor Capabilities  
Electronics Speed Control  
Elektrischer Fahrtenregler  
Contrôleur de Vitesse électronique

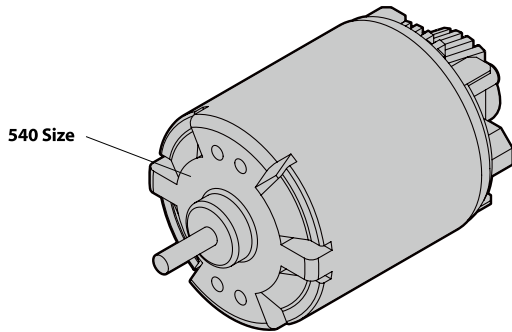


Receiver  
Empfänger  
Récepteur

On/Off Switch  
An/Aus-Schalter  
Interrupteur M/A

Steering servo  
Lenkservo  
Servo de direction

**Motor / Motoren / Moteur**

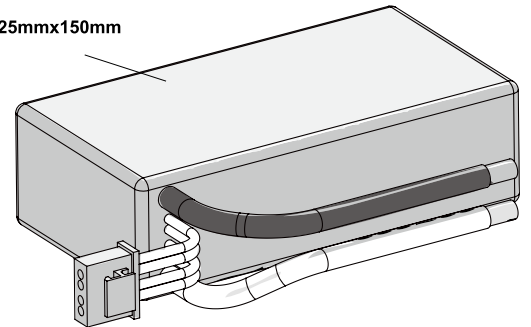


540 Size

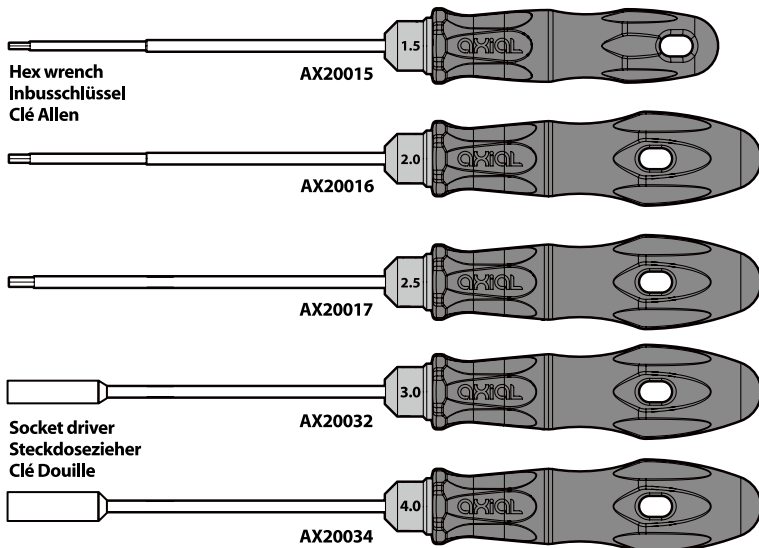
**Battery / Akku / Batterie**

**Battery / Akku / Batterie**

Battery:  
Maximum size 45mmx25mmx150mm



**Tools Recommended / Benötigte Werkzeuge / Outillage**



Hex wrench  
Inbusschlüssel  
Clé Allen

AX20015

AX20016

AX20017

AX20032

AX20034

Socket driver  
Steckdosezieher  
Clé Douille

Side cutter  
Seitenschneider  
Pincès coupantes

Curved scissors  
Schere  
Ciseaux

Long nose pliers  
Flachzange  
Pincès à becs longs

Modeling knife  
Modelliermesser  
Couteau de modéliste

## Warranty Info

### **AXIAL LIMITED WARRANTY**

Your Axial product is warranted to be free of defects in materials and workmanship when new in the factory sealed box. This warranty does not cover damages due to normal wear and tear, users' failure to perform routine maintenance, error of assembly or installation, modifications or addition of aftermarket parts or option parts. This warranty lasts as long as the original purchaser owns the product and is not transferable (verified by dated itemized sales receipt accompanied with product). In the event of a defect under this warranty, Axial will, at our discretion, repair or replace the product, provided our inspection indicates that an original defect exists. Axial provides a 10-day warranty from the date of purchase on electronics (i.e. servo, esc, radio). Axial reserves the right to replace any product which is no longer available with a product of comparable value and function. If Axial determines the repair is not covered under warranty guidelines, there could be a charge applied for the repair and return shipping charges. Note: Purchasing products from unauthorized distributors may void warranty and prevent support and service.

### **INTERNATIONAL CUSTOMER WARRANTY**

Please return product to the dealer where the purchase was made. If your Axial product purchase was made through an on-line retailer, any warranty issues must be taken care of by that retailer. Axial assumes no responsibility for Axial products sold internationally by on-line retailers.

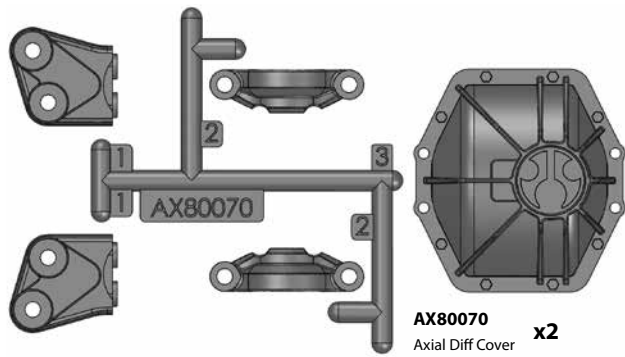
### **REPAIR**

For warranty repair, please contact Axial Customer Service at (877) 64-AXIAL (877-642-9425).

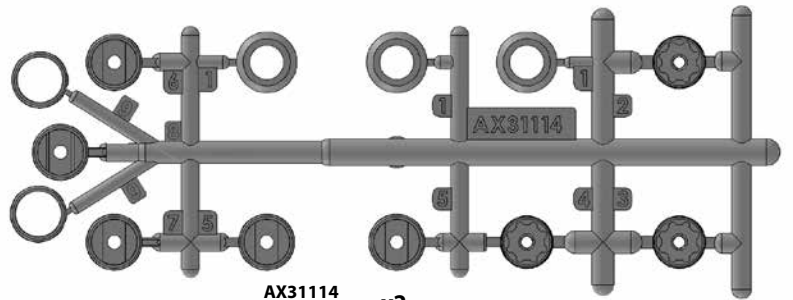
### **HOURS AVAILABLE:**

8:00 am - 5:00 pm Monday through Friday, Central Time.

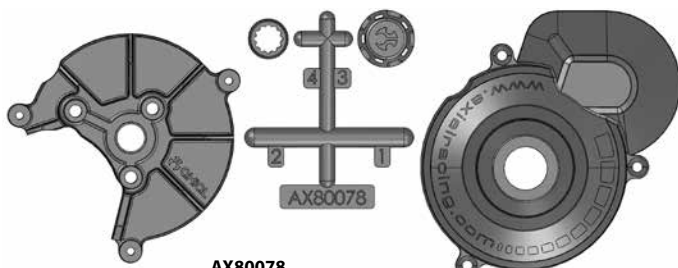
## Notes



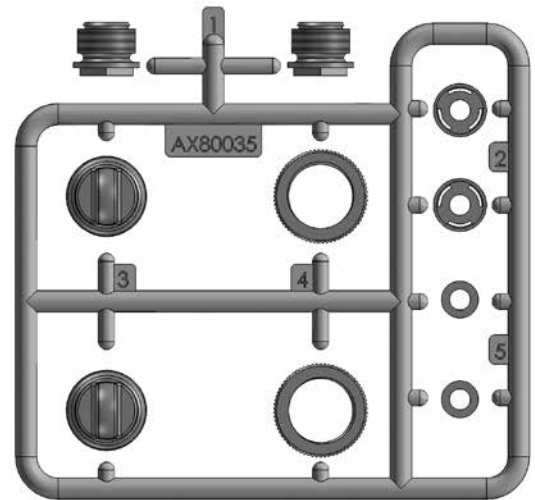
**AX80070**  
Axial Diff Cover **x2**



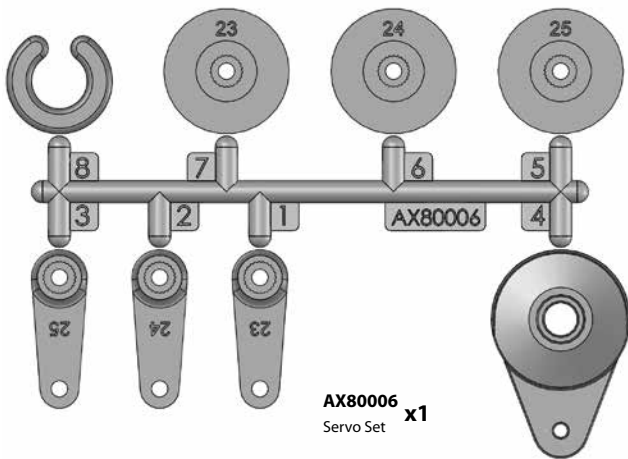
**AX31114**  
WB8 Driveshaft **x2**



**AX80078**  
Transmission Gear Cover **x1**



**AX80035**  
10mm Shock Caps Set **x2**



**AX80006**  
Servo Set **x1**



**AX31266**  
Wheel Hub Adapters **x4**



**AX80071**  
Straight Axle Adapter Rear **x1**

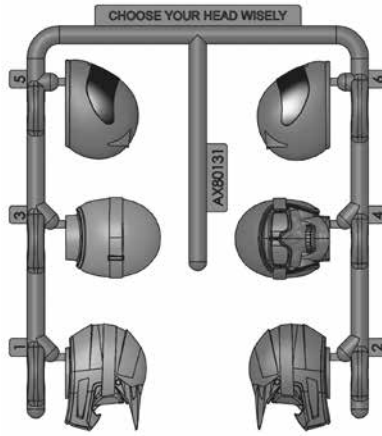


**AX80072**  
Offset Axle 4 link mount **x1**

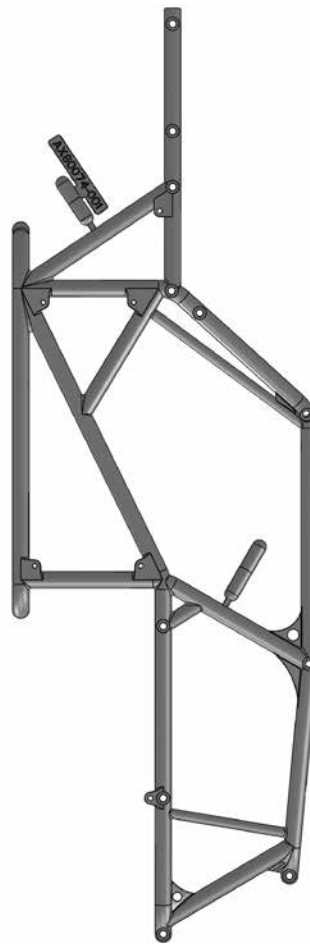
**AX80088**  
Rock Buggy Main Frame **x1**



**AX80131**  
Helmet Set **x1**



**AX80087**  
Rock Buggy Main Frame **x1**



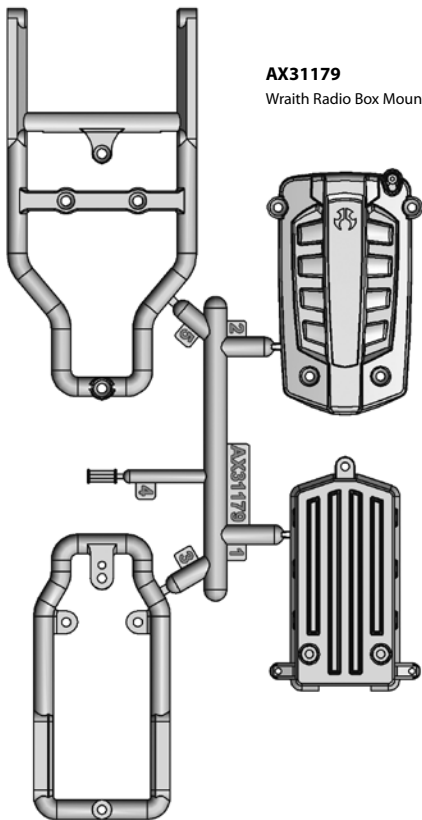
**AX80083**  
Rock Buggy Links Set **x2**



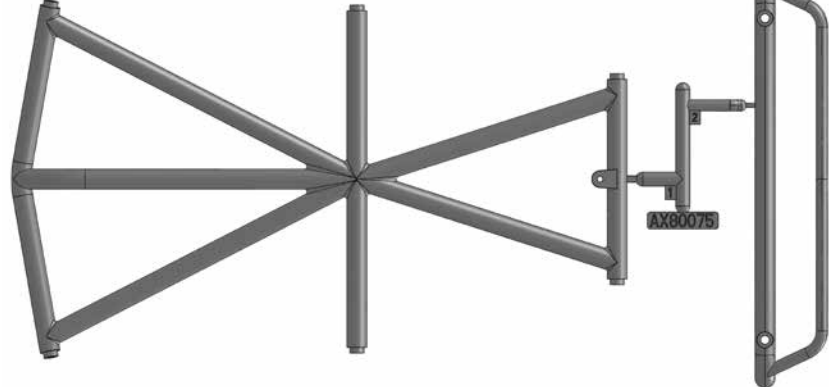
**AX80077**  
Rock Buggy Front End 1 **x1**



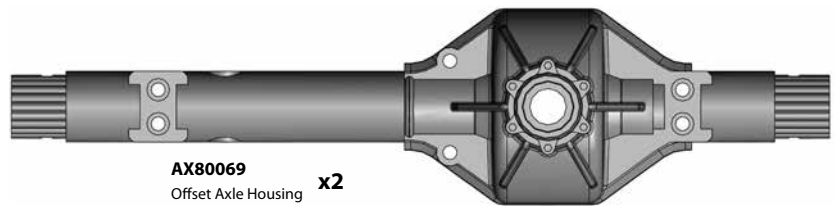
**AX31179**  
Wraith Radio Box Mount **x1**

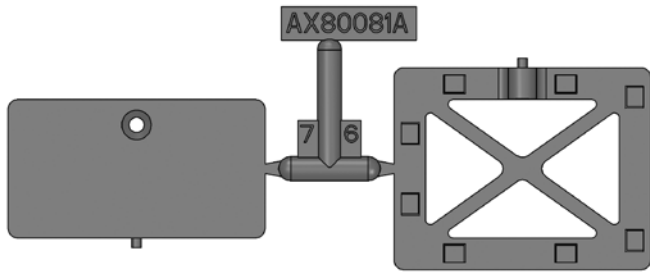


**AX80075**  
Wraith Tube Frame TOP **x1**



**AX80069**  
Offset Axle Housing **x2**

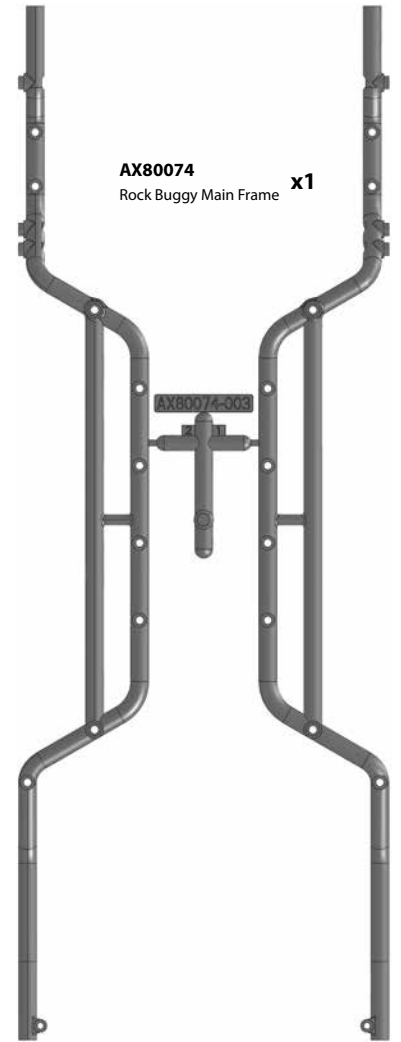




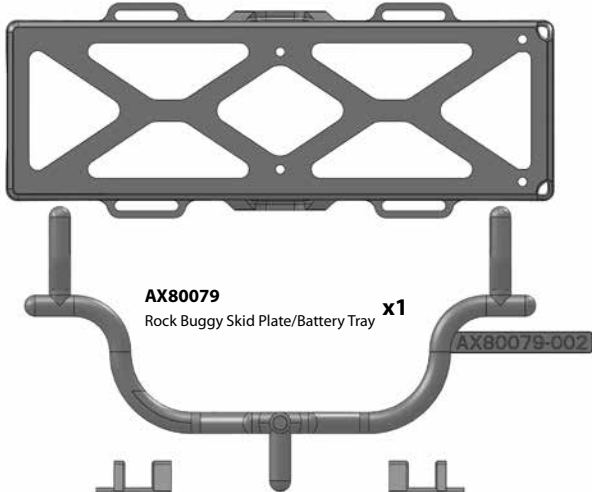
**AX80081**  
Optional ESC Mounts **x1**



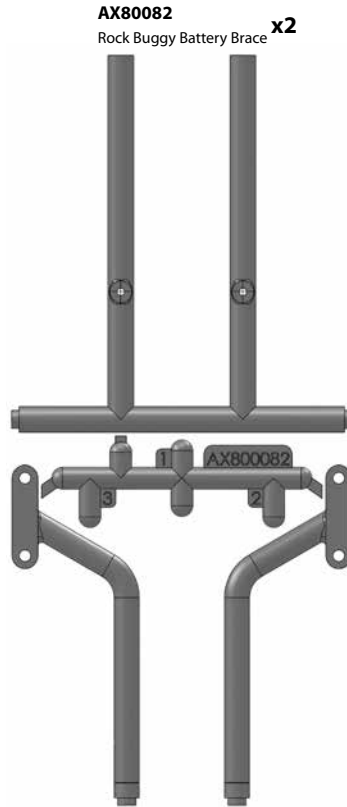
**AX31178**  
2.2 Method Beadlock Wheel Face **x4**



**AX80074**  
Rock Buggy Main Frame **x1**



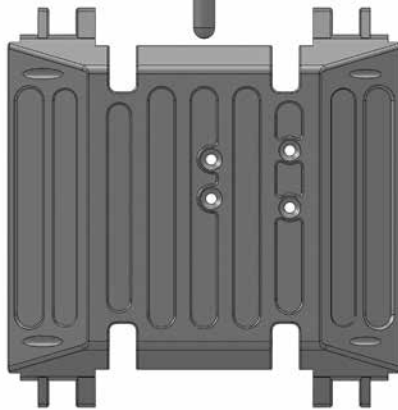
**AX80079**  
Rock Buggy Skid Plate/Battery Tray **x1**



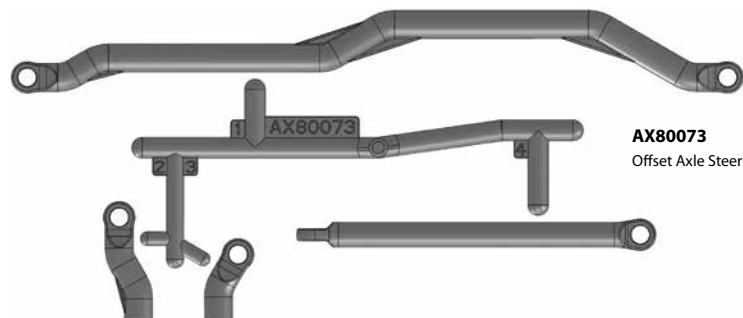
**AX80082**  
Rock Buggy Battery Brace **x2**



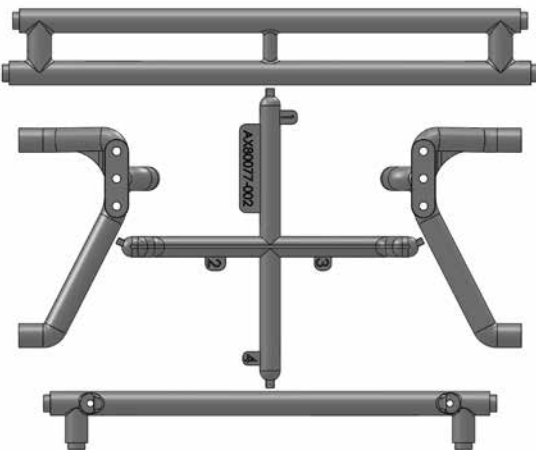
**AX80076**  
Rock Buggy Rear Brace Set **x1**

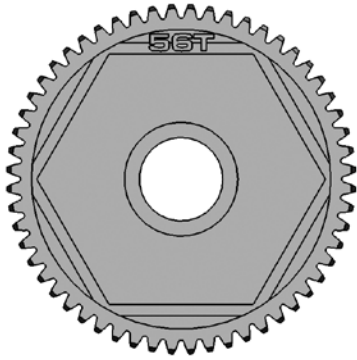


**AX80089**  
Rock Buggy Front End 2 **x1**



**AX80073**  
Offset Axle Steering Link **x1**

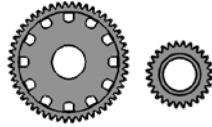




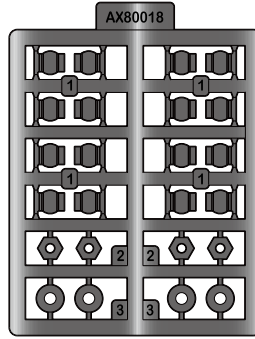
**AX31027**  
Spurs 32DP 56T **x1**



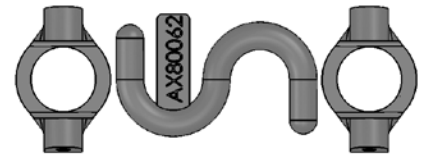
**AX31027**  
4x11mm bushing **x1**



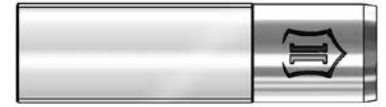
**AX80010**  
Gear Set **x1**



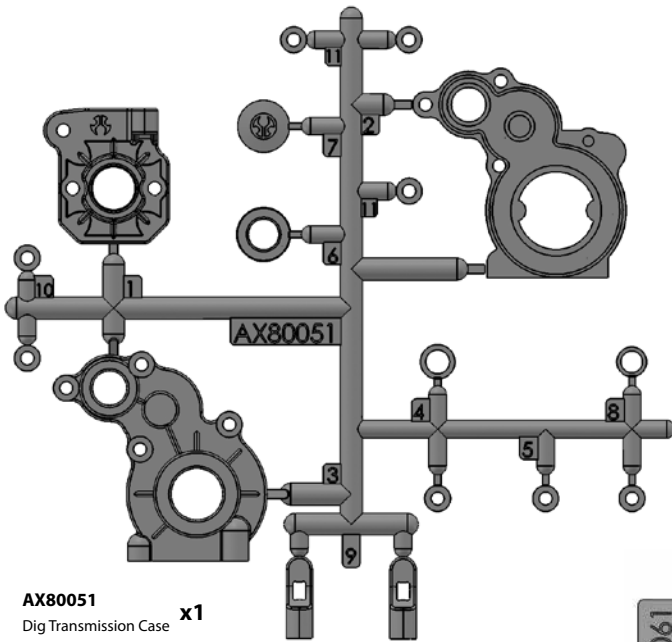
**AX80018**  
Hardware Parts Tree **x2**



**AX80062**  
XR10 C Hub Carrier Set **x1**



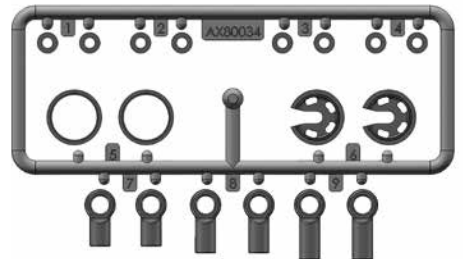
**AX31188**  
Aluminum Shock Body 12x47.5mm **x4**



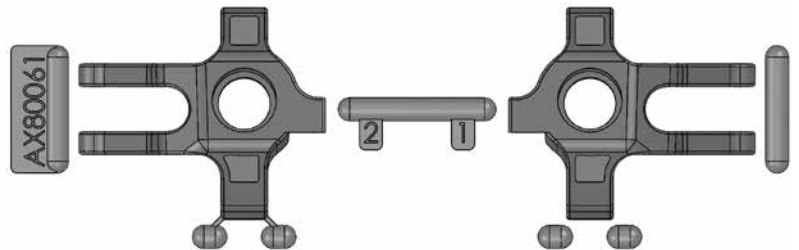
**AX80051**  
Dig Transmission Case **x1**



**AX30155**  
Shock Shaft 3x59.5 **x4**



**AX80034**  
10mm Shock Set 2 **x2**



**AX80061**  
Steering Knuckles Plastic Set **x1**



**AX30779-001-02**  
Axle Shaft Short **x1**



**AX30780-001-01**  
Axle Shaft Long **x1**



**AX30776**  
Straight Axle Shaft 6x104.2mm **x1**



**AX30776**  
Straight Axle Shaft 6x160.2mm **x1**





**AX30162** x1  
Pin 1.5x8mm



**AX30163** x2  
Pin 2x10mm



**AX31028** x8  
Pin 2.0x11mm



**AXA180** x10  
M3x3mm



**AXA187** x12  
Set Screw M3x20mm



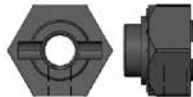
**AXA0286** x4  
Screw Shaft M4x2.5x12mm



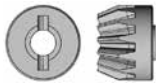
**AX31148** x4  
Universal Joint Axle Pin holder



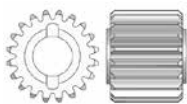
**AX30450** x4  
Flange Pipe 3x4.5x5.5



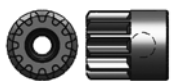
**AX30429** x4  
12mm Aluminum Hub (Black)



**AX30392** x2  
13T Bevel Gear



**AX30394** x1  
20T Drive Gear



**AX30723** x1  
Pinion 32DP 12T



**AXA1393** x2  
E2.5 e-clip



**AX30113** x4  
Rubber Bump Stop 3.6x7x4



**AXA1356** x4  
Silicone Shock Bushing 7.5x8mm



**AX30112** x4  
Shock Diaphragm 13x4.5mm



**AX30435** x1  
Steel Outdrive Shaft



**AX30437** x1  
Dig Lockout Shaft



**AX31180** x1  
SAluminum Spur Gear Spacer 5x9x17mm - Grey



**AX30190** x1  
Shaft 5x18



**AX30408** x2  
Input Shaft 5x29mm



**AX30777** x1  
56x17mm Servo Plate



**AX31149** x1  
Slipper Drive Gear Shaft 5x54.50mm



**AX31148** x4  
WB8-HD Joint Male Universal



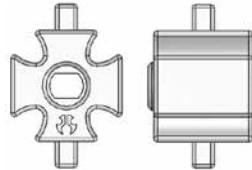
**AX31148** x4  
WB8-HD Joint 10X15mm



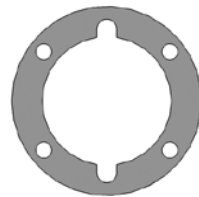
**AX30438** x4  
Machined Shock Piston 10mm - 1.2x2



**AX30413** x1  
Slipper spring



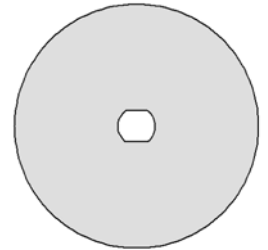
**AX30500** x2  
Heavy Duty Locker



**AX30385** x2  
Diff Gasket 16x25x0.5mm



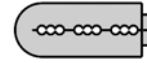
**AX30491** x1  
AX10 Scorpion Motor Plate



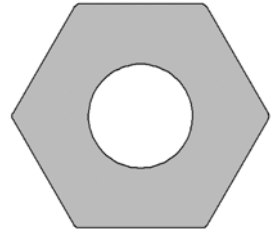
**AX31026** x2  
Slipper Plate



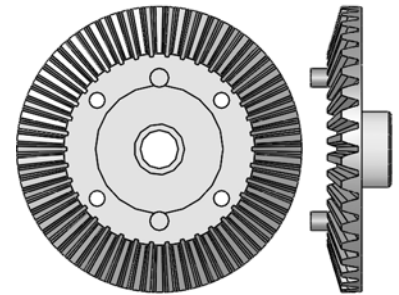
**AX31083** x1  
Radio Box Seals



**AX31083** x1  
Radio Box Seals



**AX31068** x2  
Slipper Pad
















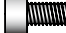




























**AX30392** x2  
38T Bevel Gear

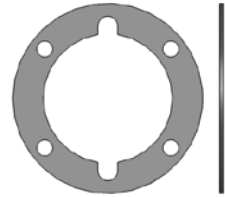
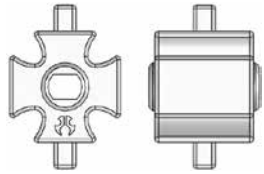
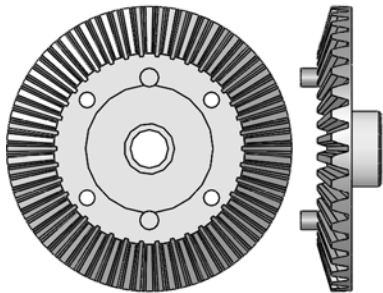
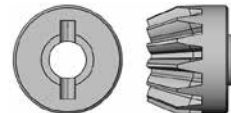
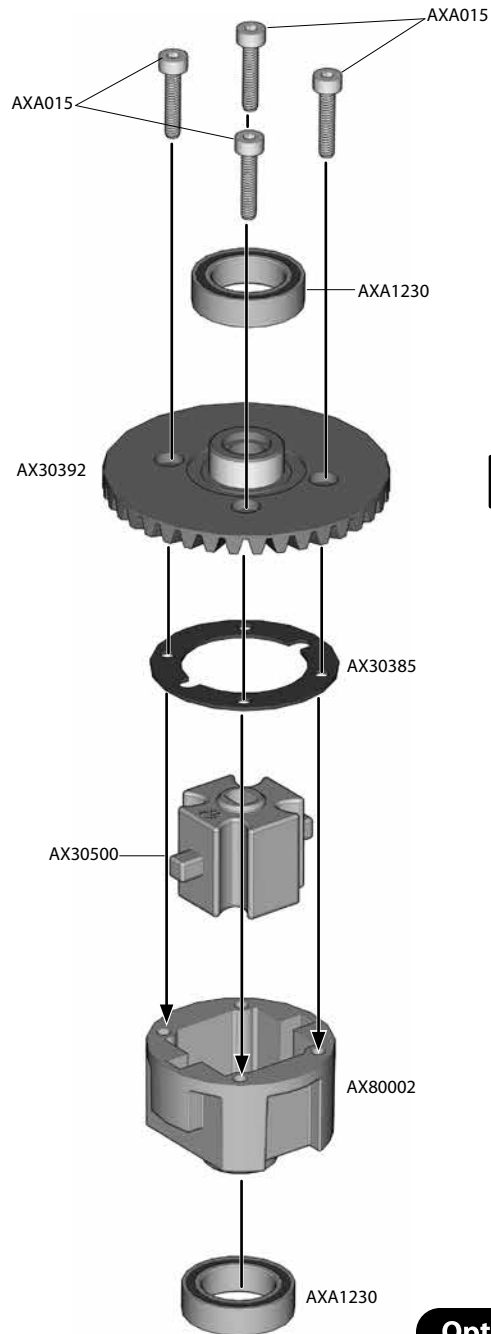
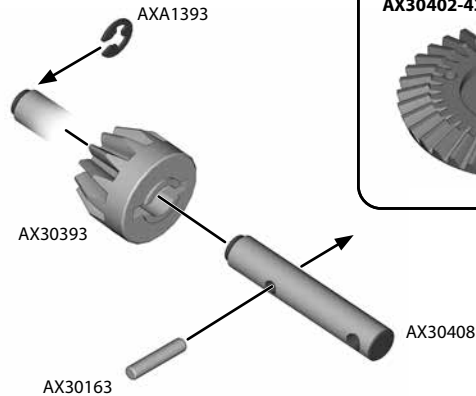


**AX31083** x1  
Radio Box Seals



**AX30224** x4  
Axial Spring 14X70mm-Super Soft (Purple)

	<b>AXA1041</b> M2.5 Nylon Lock Nut <b>x4</b>		<b>AXA0109</b> M3x10mm Servo Flange Screw <b>x4</b>		<b>AXA0413</b> M2.6x8mm <b>x5</b>
	<b>AXA1052</b> M3 Thin Nylon Locking Hex Nut <b>x18</b>		<b>AXA0013</b> M2x6mm <b>x3</b>		<b>AXA0414</b> M2.6x10mm <b>x9</b>
	<b>AXA1053</b> M3 Nylon Locking Hex Nut <b>x3</b>		<b>AXA0015</b> M2x10mm <b>x16</b>		<b>AXA464</b> M3x8mm <b>x3</b>
	<b>AXA1069</b> Washer 2.7x6.7x0.5 mm <b>x8</b>		<b>AXA0023</b> M2.6x8mm <b>x24</b>		<b>AXA465</b> M3x10mm <b>x4</b>
	<b>AXA1070</b> Washer 3x6x0.5 mm <b>x3</b>		<b>AXA0083</b> M3x6mm <b>x2</b>		<b>AXA466</b> M3x12mm <b>x2</b>
	<b>AXA1202</b> O-Ring 3.5x2mm <b>x8</b>		<b>AXA0087</b> M3x16mm <b>x8</b>		<b>AXA0422</b> M2.6x6mm <b>x8</b>
	<b>AXA1184</b> O-Ring 7.5x1.5mm <b>x4</b>		<b>AXA0089</b> M3x25mm <b>x3</b>		<b>AXA434</b> M3x8mm <b>x2</b>
	<b>AXA1218</b> Bearing 5x10x4mm <b>x4</b>		<b>AXA0091</b> M3x30mm <b>x2</b>		<b>AXA435</b> M3x10mm <b>x12</b>
	<b>AXA1221</b> Bearing 5x11x4mm <b>x11</b>		<b>AXA0113</b> M3x6mm <b>x11</b>		<b>AXA436</b> M3x12mm <b>x6</b>
	<b>AXA1230</b> Bearing 10x15x4mm <b>x6</b>		<b>AXA115</b> M3x10mm <b>x4</b>		<b>AXA0437</b> M3x15mm <b>x9</b>
	<b>AXA1225</b> Bearing 8x16x5mm <b>x1</b>		<b>AXA116</b> M3x12mm <b>x24</b>		<b>AXA438</b> M3x18mm <b>x46</b>
	<b>AXA1243</b> Bearing 15x21x4mm <b>x1</b>		<b>AXA117</b> M3x15mm <b>x4</b>		<b>AXA0439</b> M3x20mm <b>x4</b>
	<b>AXA1045</b> M4 Nylon Lock Nut (Black) <b>x1</b>		<b>AXA118</b> M3x18mm <b>x8</b>		<b>AXA440</b> M3x25mm <b>x2</b>
	<b>AX31250</b> M4 Serrated Nylon Locking Nut (Black) <b>x4</b>		<b>AXA144</b> M3x8mm <b>x4</b>		<b>AXA441</b> M3x30mm <b>x2</b>

**A****Open Bag A****1****Open Plastic Bag 1****1****AXA015**  
M2x10mm **x8****AXA1230**  
Bearing 10x15x4mm **x4****AX30385**  
Diff Gasket 16x25x0.5mm **x2****AX30500**  
Heavy Duty Locker **x2****AX30392**  
38T Bevel Gear **x2****AX30163**  
PIN 2.0x10mm **x2****AXA1393**  
E2.5 e-clip **x2****AX30408**  
Input Shaft 5x29mm **x2****AX30393**  
13T Bevel Gear **x2****x2****Option Parts**Heavy Duty Bevel Gear Set  
**AX30395-38T/13T**  
**AX30401-36T/14T**  
**AX30402-43T/13T**



**AXA1221**  
Bearing 5x11x4mm **x4**

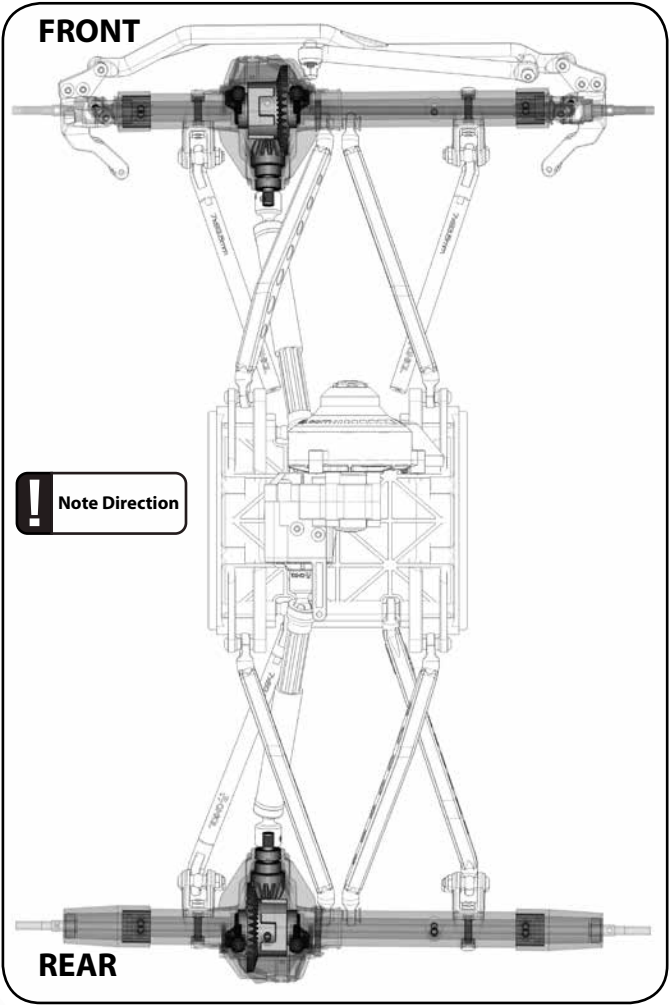
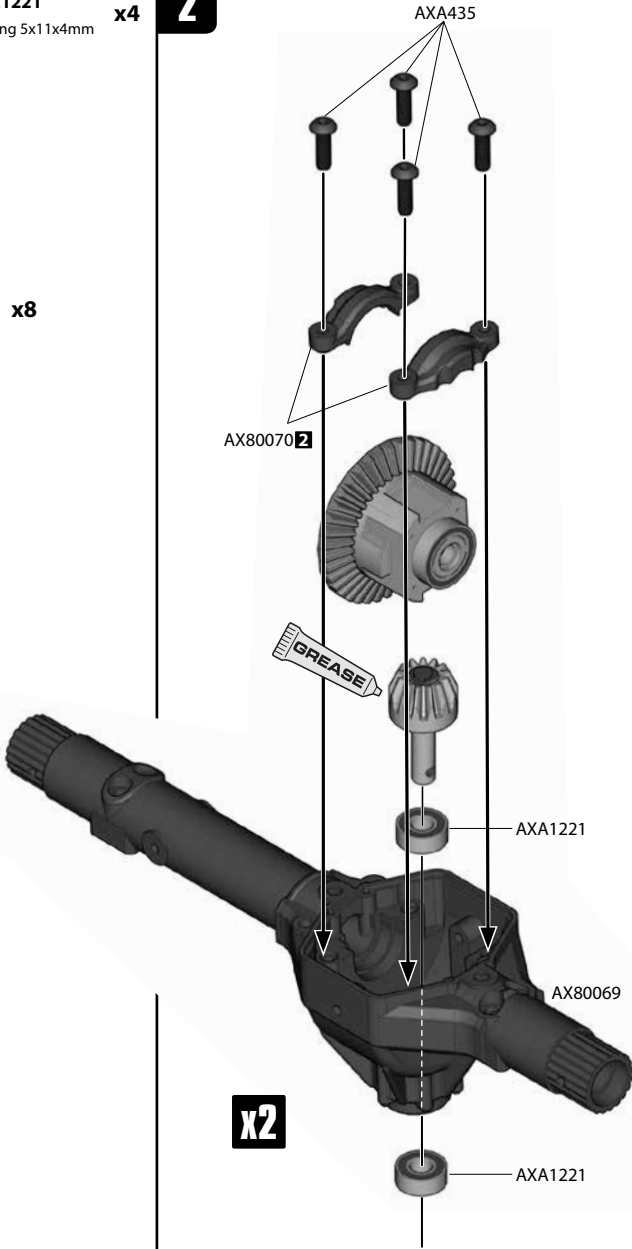


**AXA435**  
M3x10mm **x8**

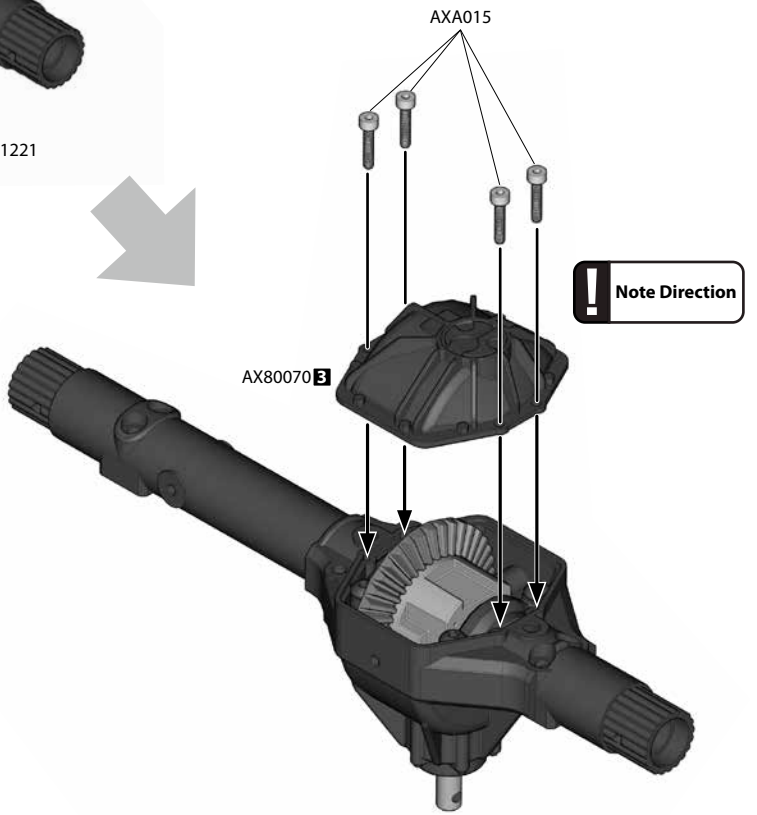


**AXA015**  
M2x10mm **x8**

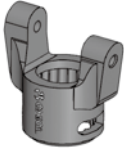
**2**



**x2**



**Option Parts**



**AX30762**  
Aluminum C Hub Carrier



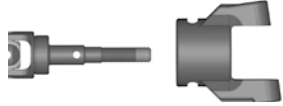
**AX30760**  
Aluminum Steering Knuckle

**Note Direction**

**LEFT**



**RIGHT**



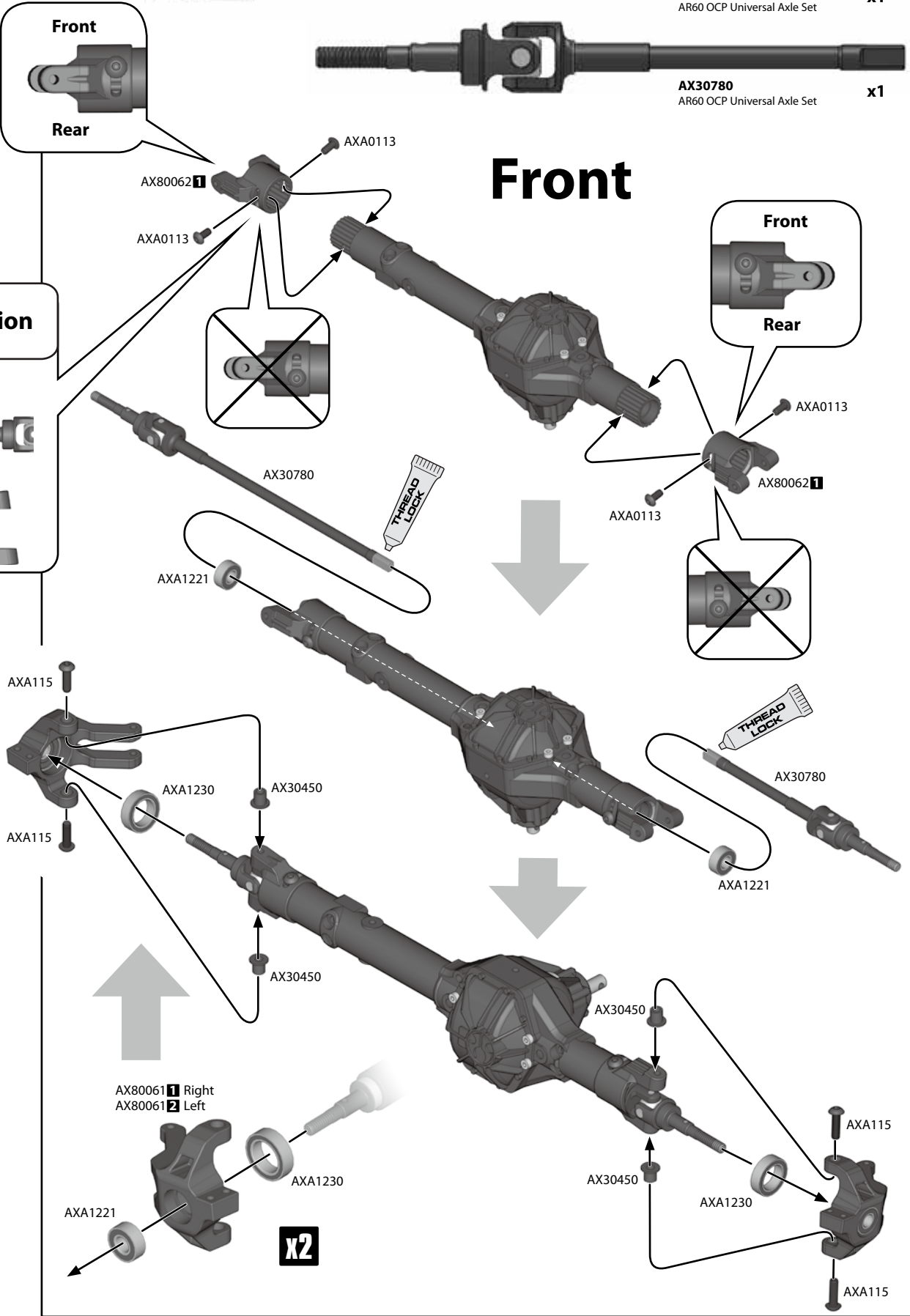
**3**



**AX30780**  
AR60 OCP Universal Axle Set **x1**

**AX30780**  
AR60 OCP Universal Axle Set **x1**

**Front**



**AXA1221**  
Bearing 5x11x4mm **x4**



**AXA1230**  
Bearing 10x15x4mm **x2**



**AXA0113**  
M3x6mm **x4**



**AXA115**  
M3x10mm **x4**



**AX30450**  
Flange Pipe 3x4.5x5.5 **x4**

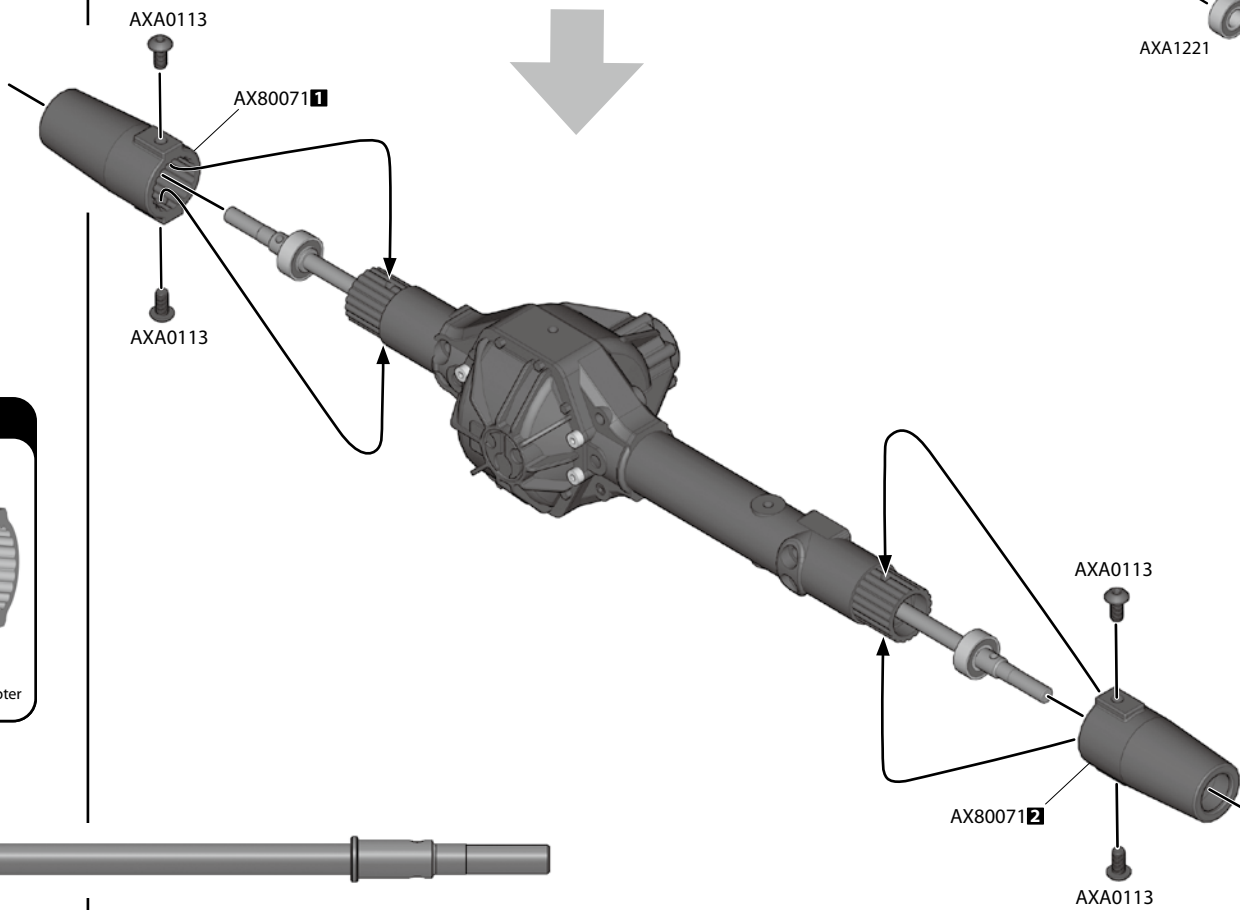
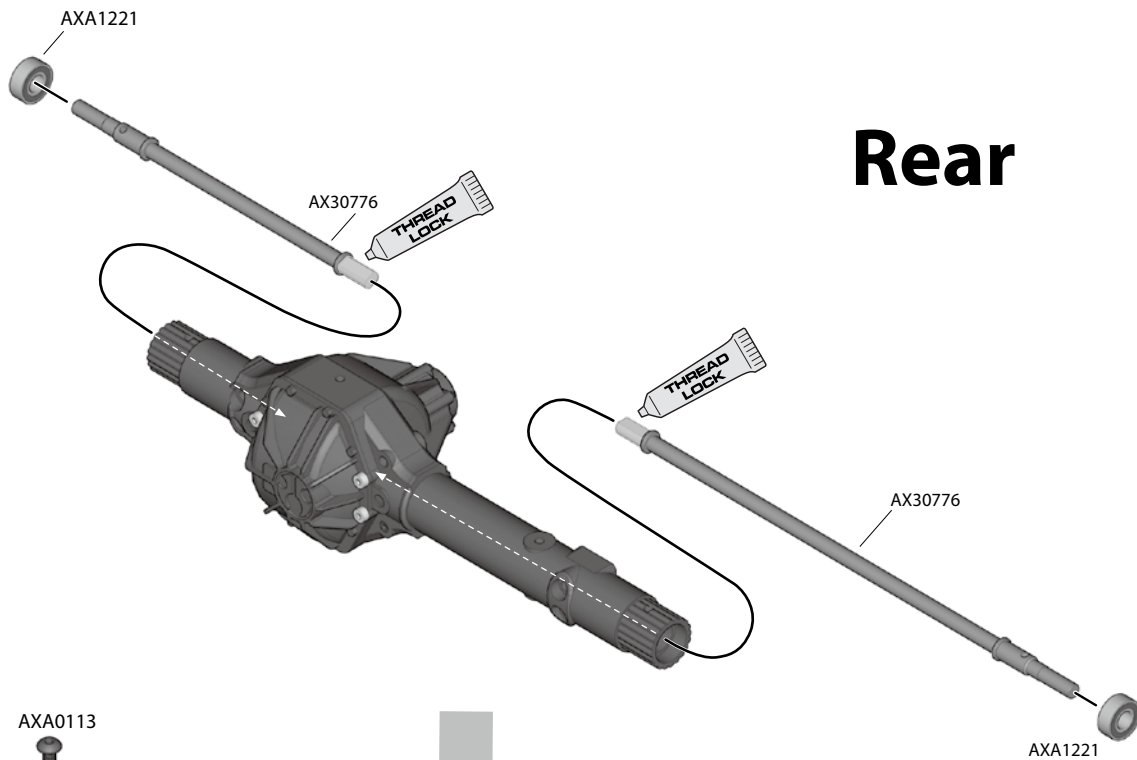
**AX80061** 1 Right  
**AX80061** 2 Left

**AXA0113**  
M3x6mm **x4**

**AXA1221**  
Bearing 5x11x4mm **x2**

**4**

# Rear



**Option Parts**

**AX30789**  
Rear Straight Axle Aluminum Adapter



**AX30776**  
AR60 Rear Axle Set **x1**



**AX30776**  
AR60 Rear Axle Set **x1**



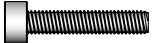
**AXA1052**  
M3 Thin Nylon Locking Hex Nut **x4**



**AXA464**  
M3x8mm **x1**



**AXA465**  
M3x10mm **x1**



**AXA087**  
M3x16mm **x4**



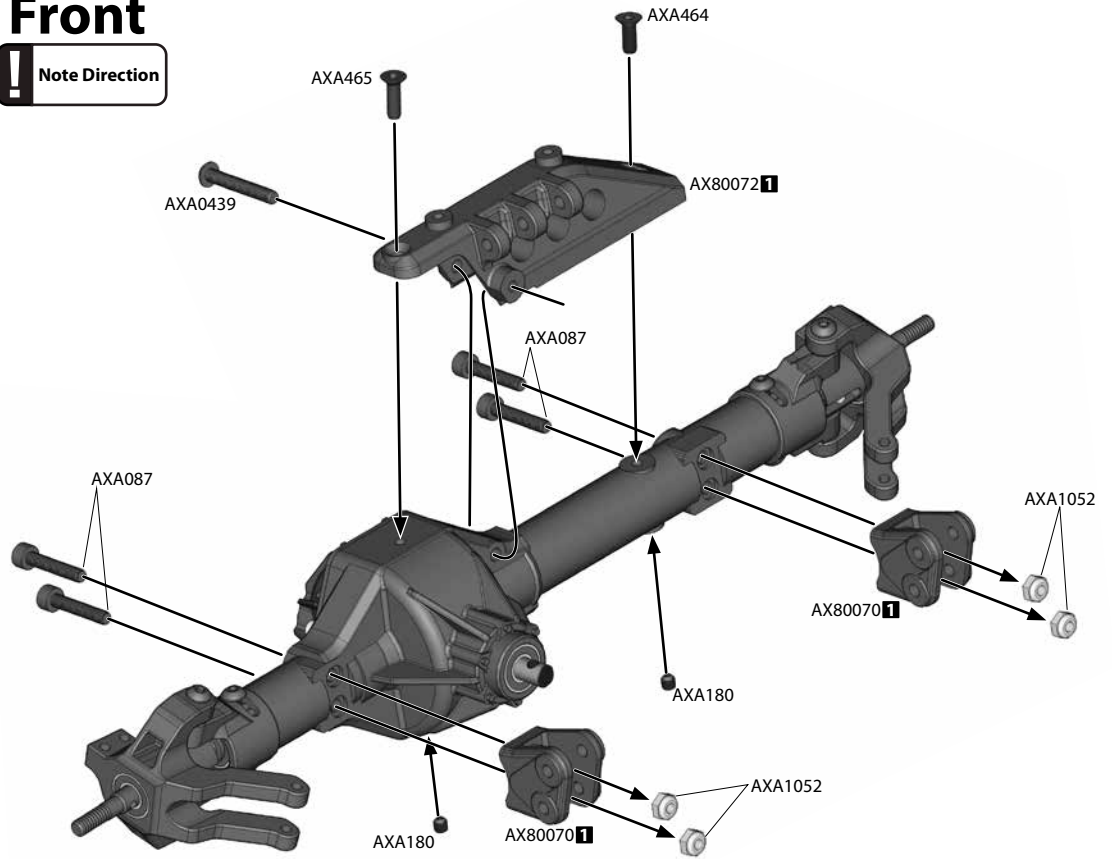
**AXA0439**  
M3x20mm **x1**



**AXA180**  
M3x3mm **x2**

## 5 Front

**Note Direction**



**AXA1052**  
M3 Thin Nylon Locking Hex Nut **x4**



**AXA464**  
M3x8mm **x1**



**AXA465**  
M3x10mm **x1**



**AXA087**  
M3x16mm **x4**



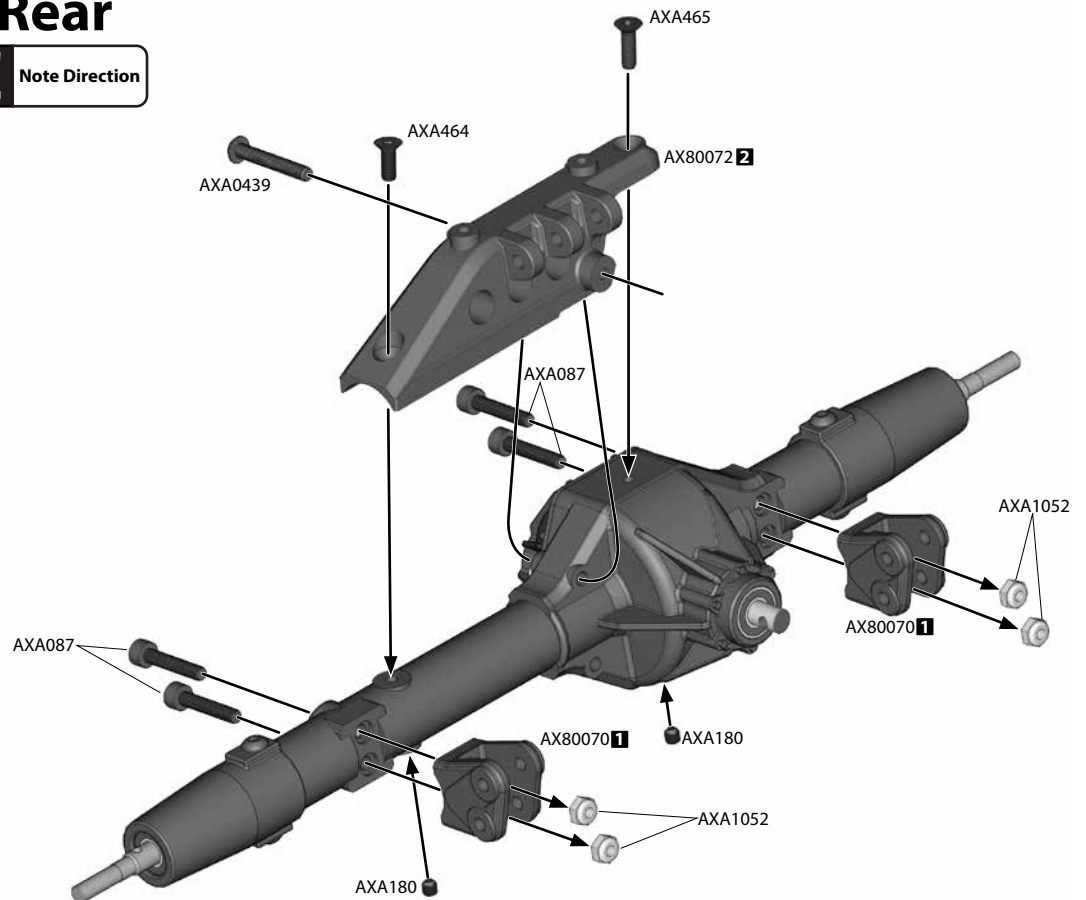
**AXA0439**  
M3x20mm **x1**



**AXA180**  
M3x3mm **x2**

## 6 Rear

**Note Direction**



# B

## Open Bag B



**AXA1041**  
M2.5 Nylon Lock Nut **x4**



**AX30113**  
Rubber Bump Stop 3.6x7x4 **x4**



**AXA1202**  
O-Ring 3.5x2mm **x8**



**AXA1184**  
O-Ring 7.5x1.5mm **x4**



**AXA1069**  
WASHER 2.7x6.7x0.5 **x8**



**AX30438**  
Machined Shock Piston 10mm 1.2x2 **x4**



**AX30112**  
Shock Diaphragm 13x4.5mm **x4**

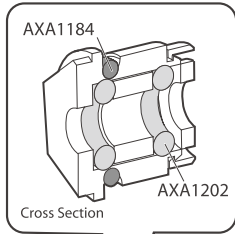


**AX31188**  
Aluminum Shock Body 12x47.5mm **x4**



**AX80018**  
Hardware Parts Tree **x4**

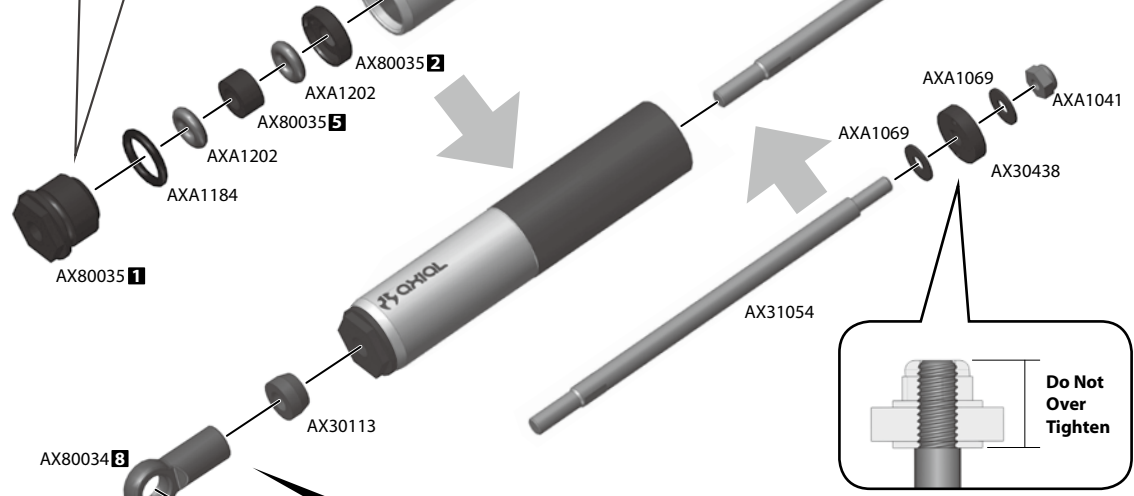
### 7



AXA1184

AXA1202

Cross Section

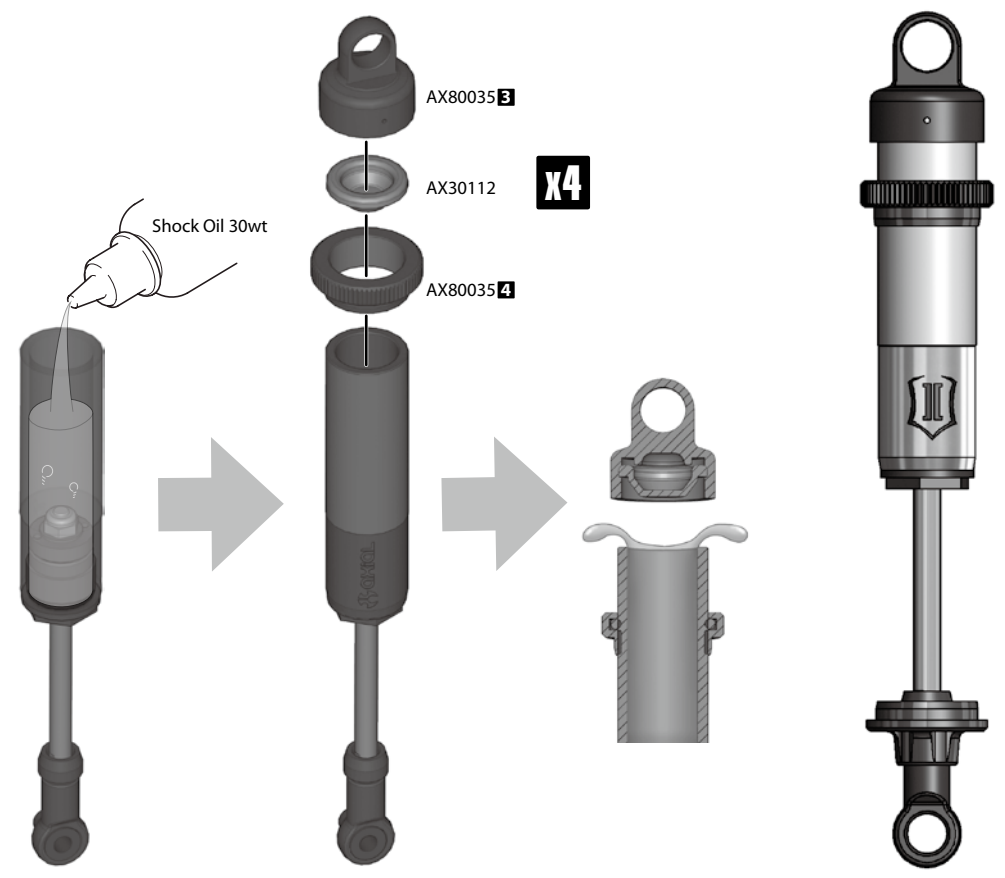


**AX30155**  
Shock Shaft 3x59.5 **x4**

**x4**

**Optional Lengths**  
AX80034 **7** -2mm  
AX80034 **8** +2mm

### 8



Shock Oil 30wt

AX80035 **3**

AX30112 **x4**

AX80035 **4**



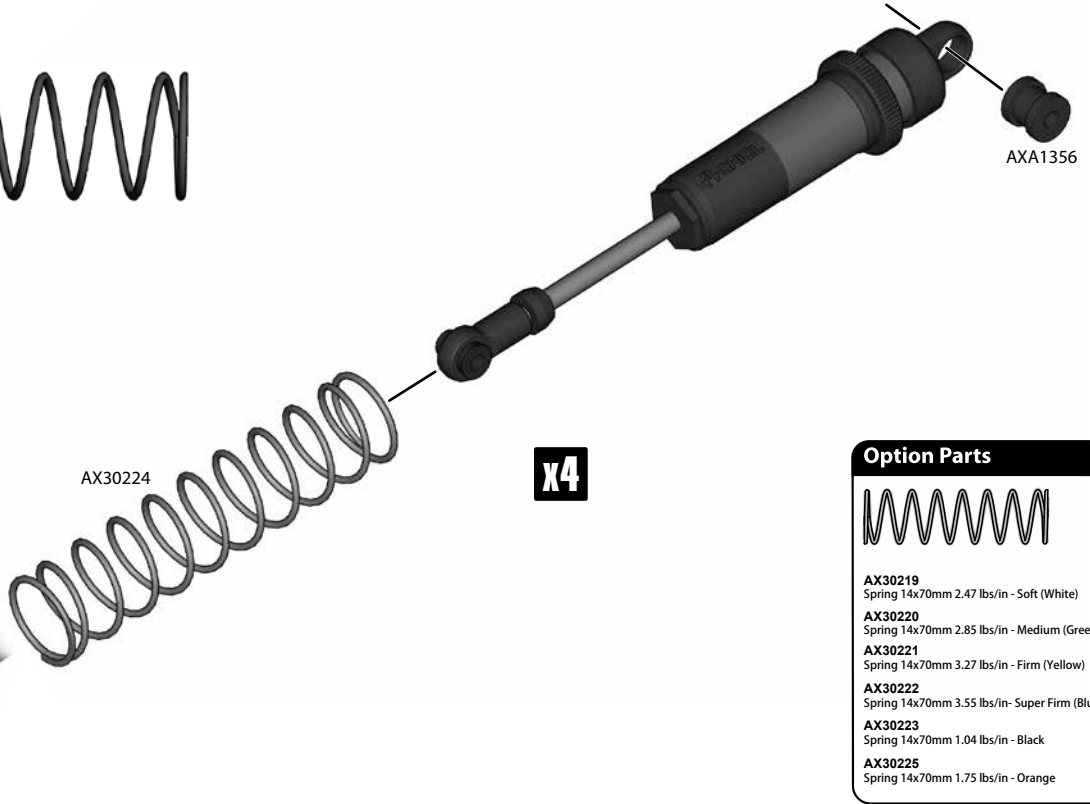


**AXA1356**  
Silicone Shock Bushing 7.5x8mm **x4**




**AX30224**  
Spring 14x70mm 1.43 lbs/in - Purple **x4**

**9**



**Option Parts**



- AX30219**  
Spring 14x70mm 2.47 lbs/in - Soft (White)
- AX30220**  
Spring 14x70mm 2.85 lbs/in - Medium (Green)
- AX30221**  
Spring 14x70mm 3.27 lbs/in - Firm (Yellow)
- AX30222**  
Spring 14x70mm 3.55 lbs/in - Super Firm (Blue)
- AX30223**  
Spring 14x70mm 1.04 lbs/in - Black
- AX30225**  
Spring 14x70mm 1.75 lbs/in - Orange

**C** Open Bag C

**10**



**AX31148**  
4.5x6.5mm joint Pin **x4**



**AX31028**  
Pin 2x11mm **x4**



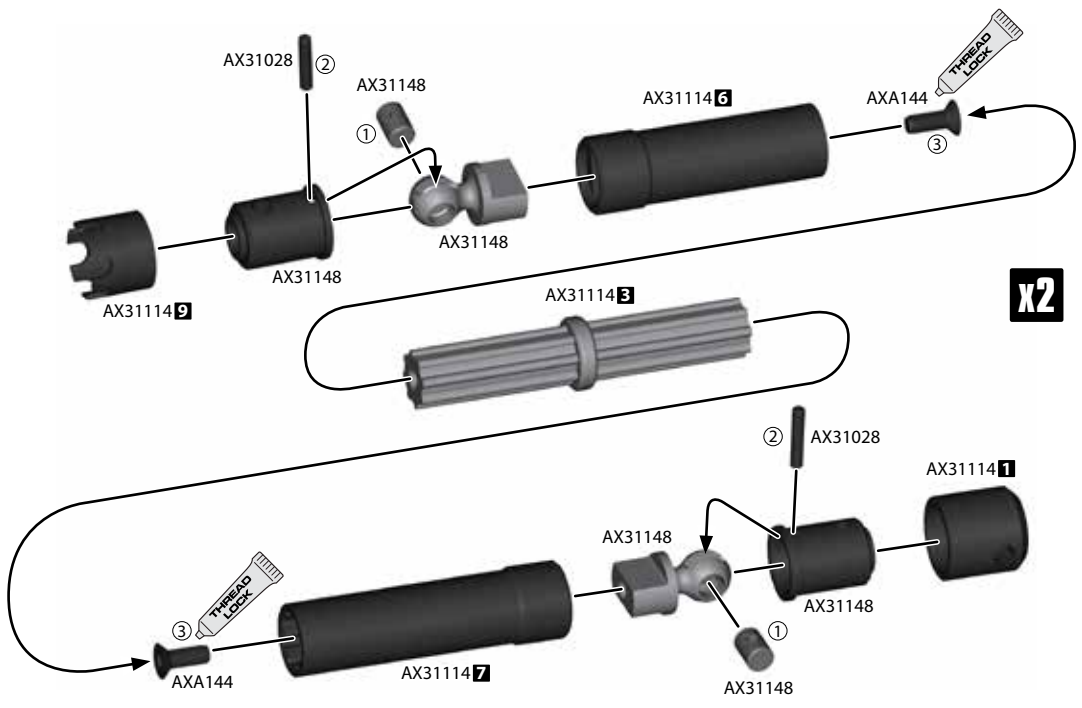
**AXA144**  
M3x8mm **x4**



**AX31148**  
WB8-HD Driveshaft Coupler Set **x4**



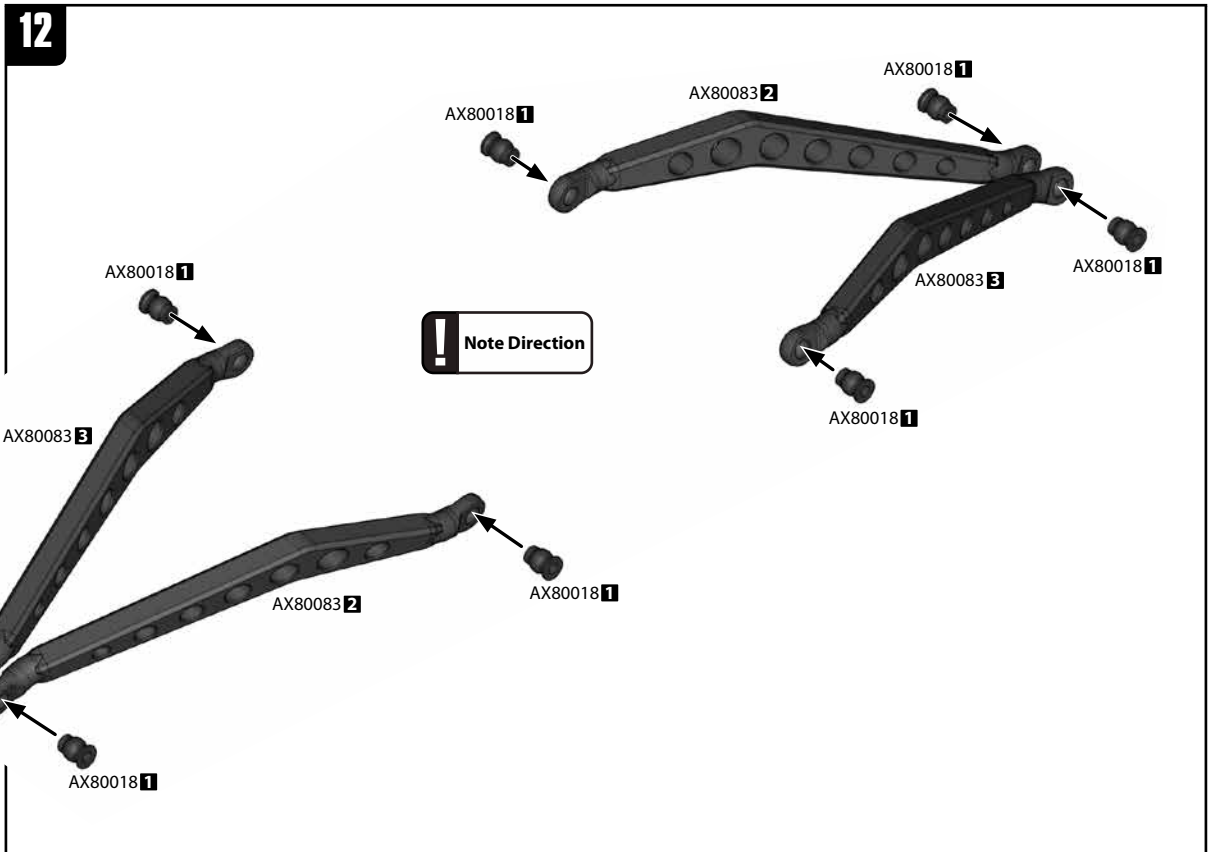
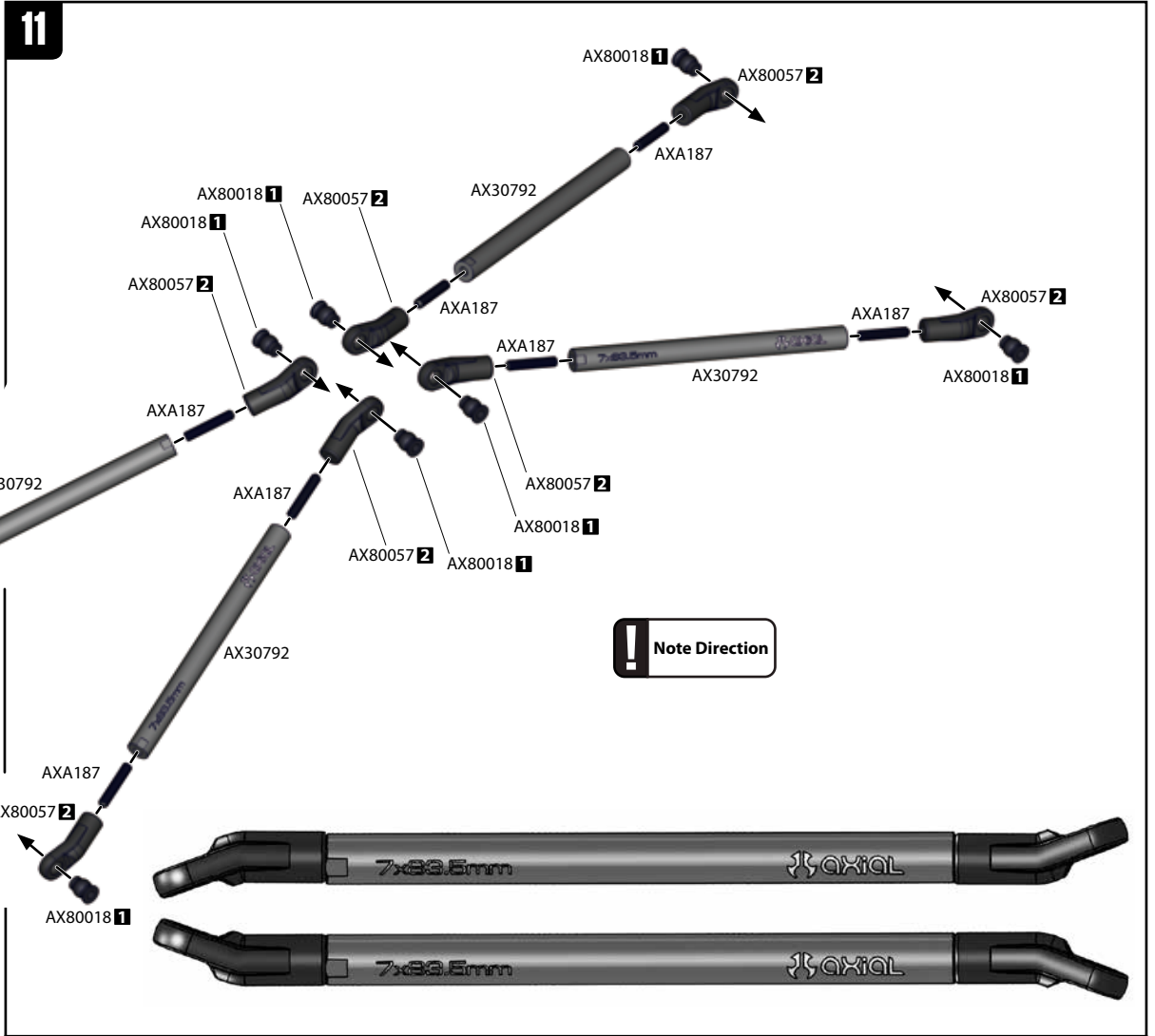
**AX31148**  
WB8-HD Driveshaft Coupler Set **x4**





**AX80018** **x16**  
Hardware Parts Tree

**AXA187** **x8**  
Set Screw M3x20mm

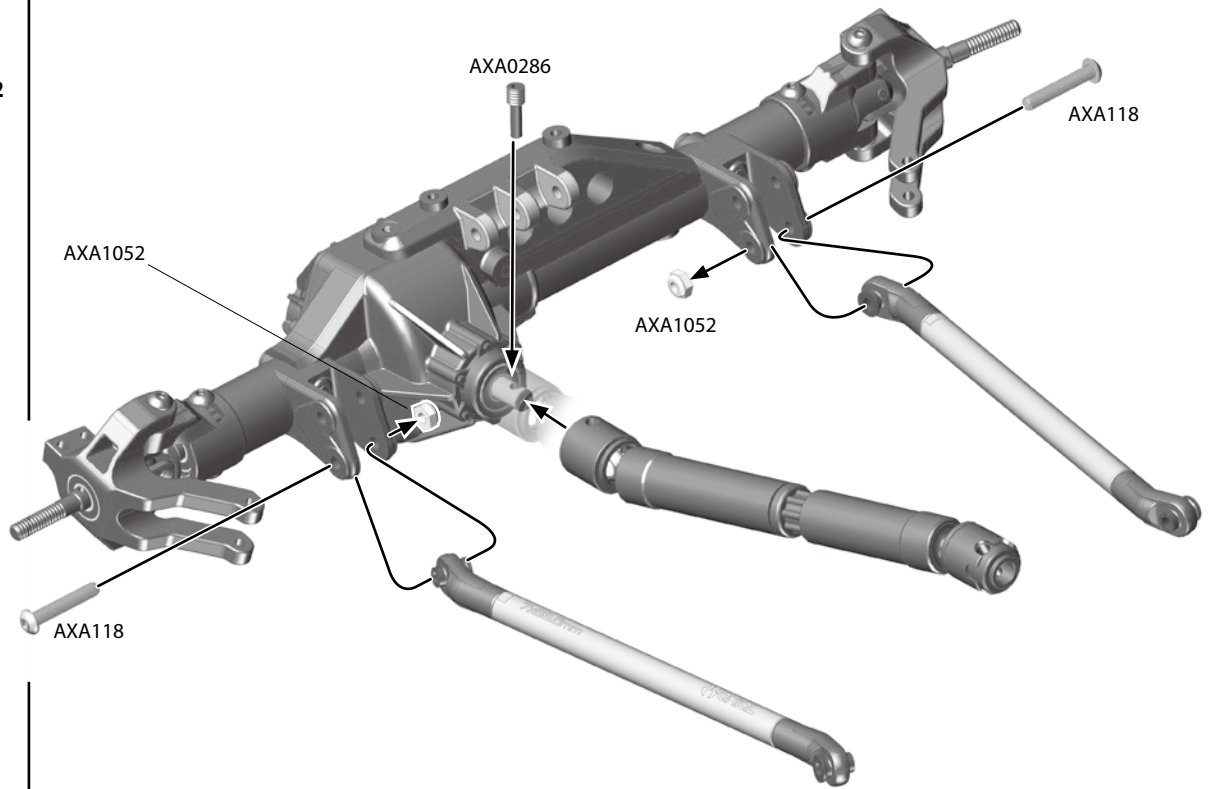


**AXA0286**  
Screw Shaft M4x2.5x12mm **x1**

**AXA1052**  
M3 Thin Nylon Locking Hex Nut (BLACK) **x2**

**AXA118**  
M3x18mm **x2**

## 13 Front



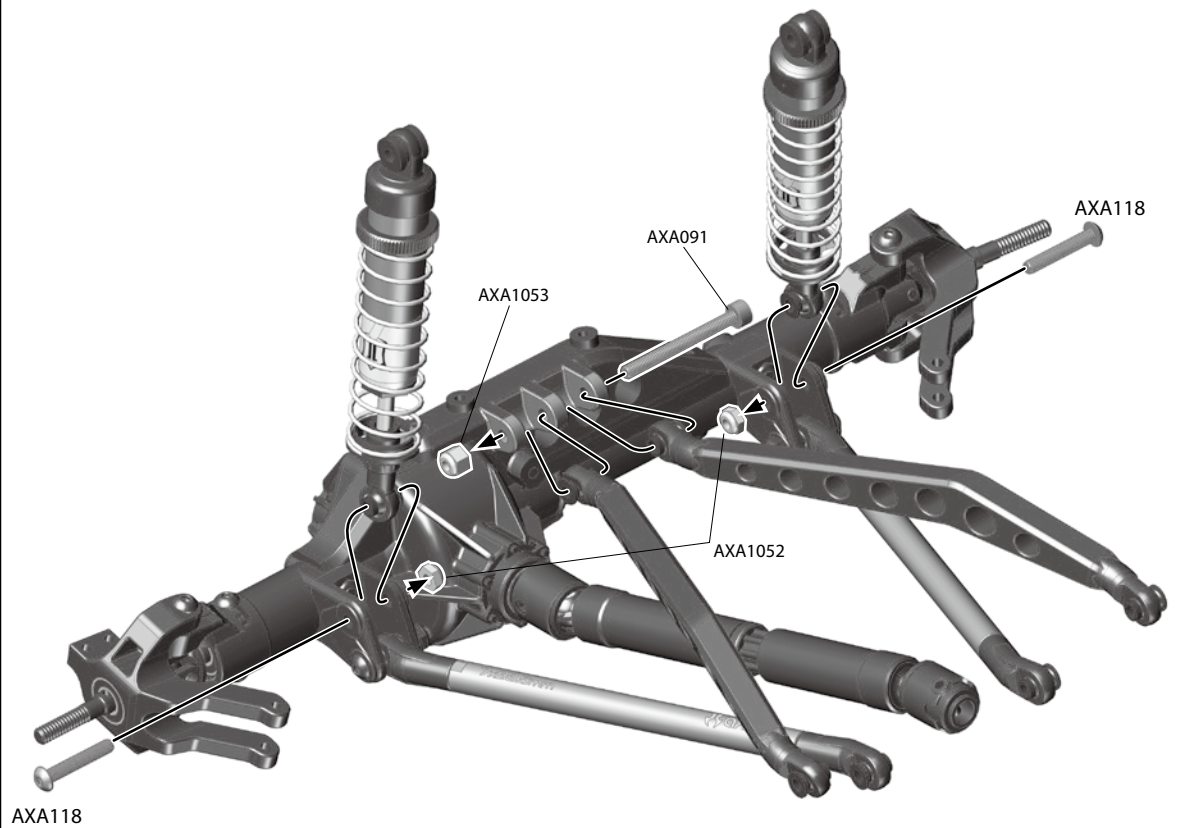
**AXA1052**  
M3 Thin Nylon Locking Hex Nut (BLACK) **x2**

**AXA1053**  
M3 Nylon Locking Hex Nut (BLACK) **x1**

**AXA118**  
M3x18mm **x2**

**AXA091**  
M3x30mm **x1**

## 14 Front





**AXA434**  
M3x8mm **x2**



**AXA435**  
M3x10mm **x4**



**AXA464**  
M3x8mm **x2**



**AXA0109**  
M3x10mm Oversized Flat Hex Socket **x4**



**AXA1070**  
Washer 3x6x0.5 mm **x1**



**AXA1052**  
M3 Thin Nylon Locking Hex Nut (BLACK) **x2**



**AXA1053**  
M3 Nylon Locking Hex Nut (BLACK) **x1**



**AX80018**  
Hardware Parts Tree **x4**

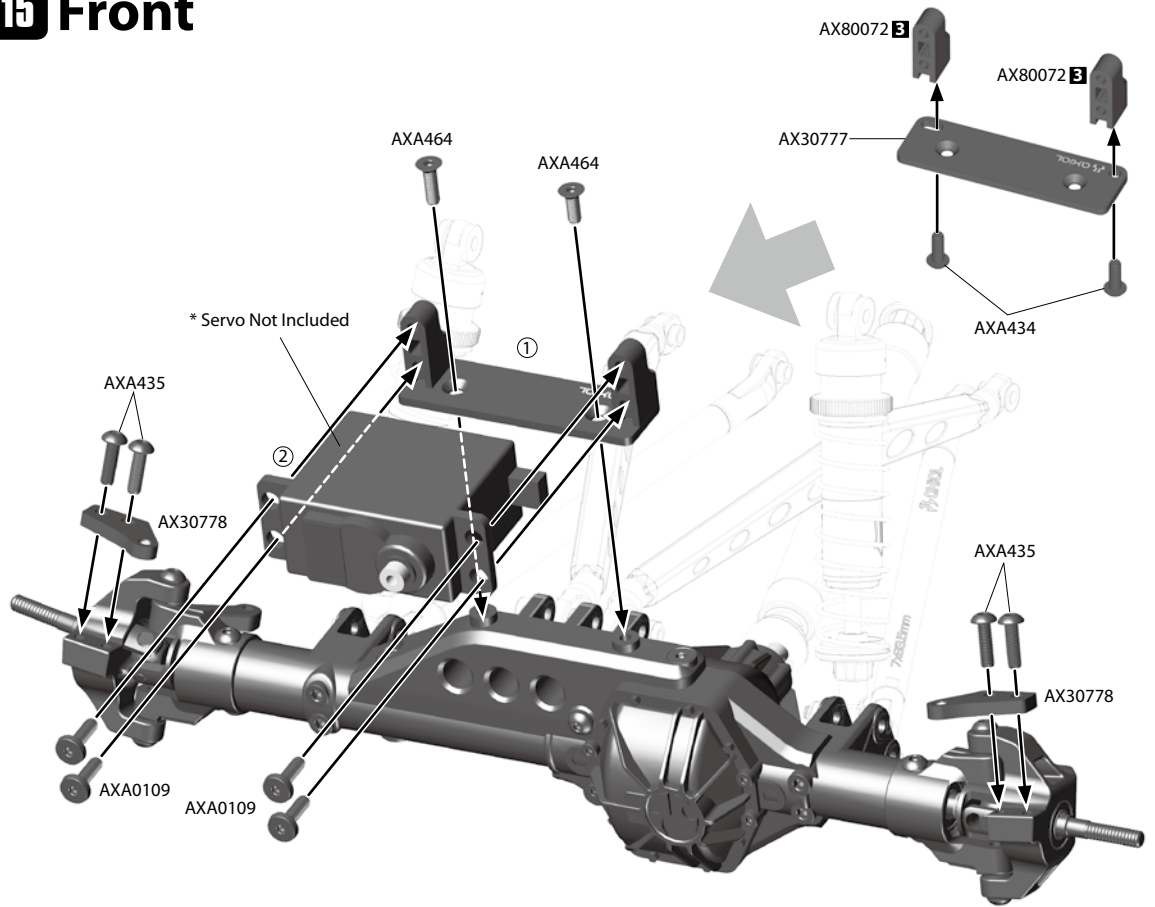


**AXA0113**  
M3x6mm **x1**

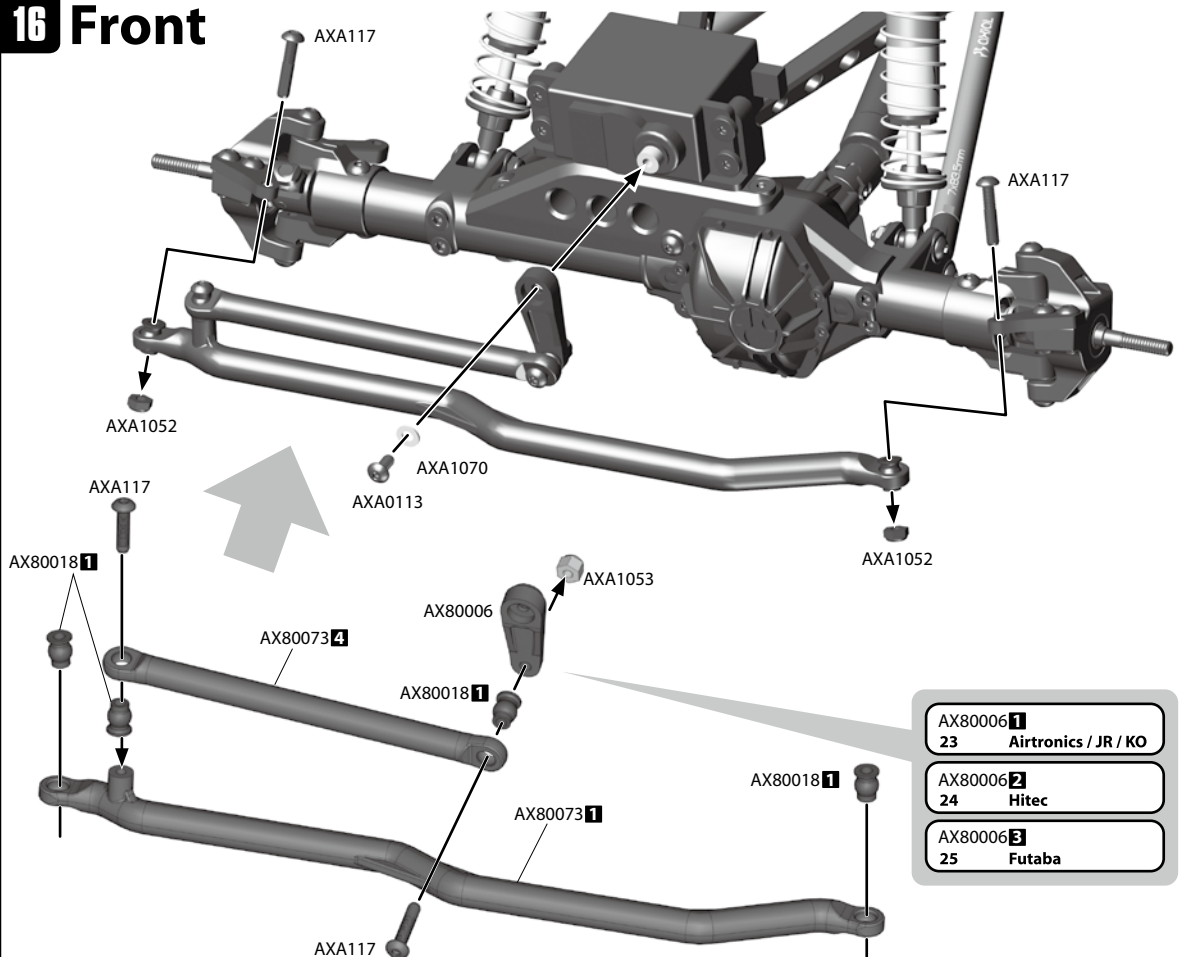


**AXA117**  
M3x15mm **x4**

## 15 Front



## 16 Front

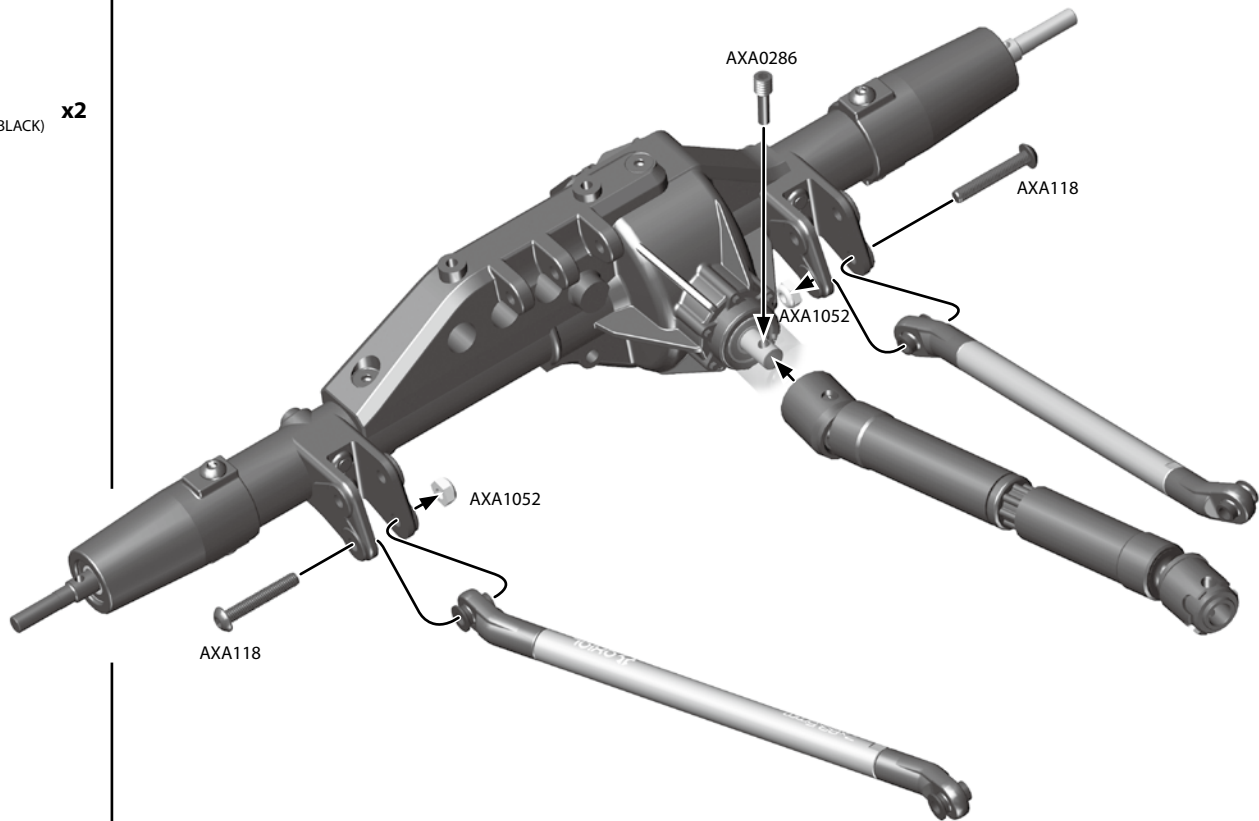


## 17 Rear

**AXA0286**  
Screw Shaft M4x2.5x12mm **x1**

**AXA1052**  
M3 Thin Nylon Locking Hex Nut (BLACK) **x2**

**AXA118**  
M3x18mm **x2**



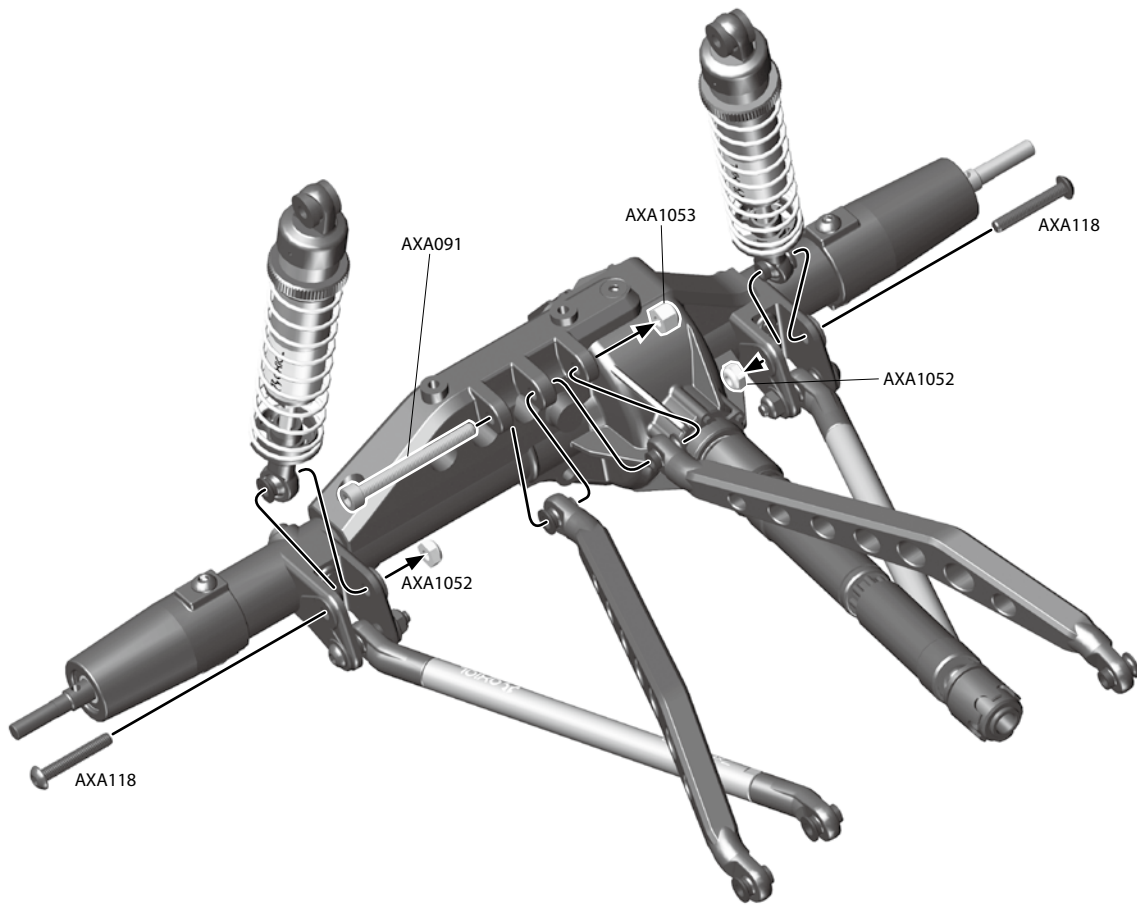
## 18 Rear

**AXA1052**  
M3 Thin Nylon Locking Hex Nut (BLACK) **x2**

**AXA1053**  
M3 Nylon Locking Hex Nut (BLACK) **x1**

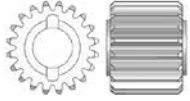
**AXA118**  
M3x18mm **x2**

**AXA091**  
M3x30mm **x1**



**D****Open Bag D****2****Open Plastic Bag 2**

**AX30162** x1  
Pin 1.5x8mm



**AX30394** x1  
20T Drive Gear



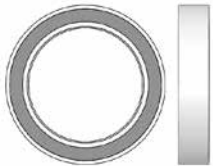
**AX31149** x1  
Slipper Drive Gear Shaft 5x54.50mm

**AX30190** x1  
Shaft 5x18

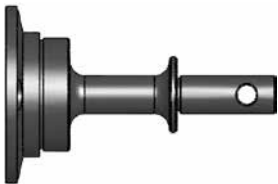
**AXA1218** x4  
Bearing 5x10x4mm



**AXA1225** x1  
Bearing 8x16x5mm



**AXA1243** x1  
Bearing 15x21x4mm



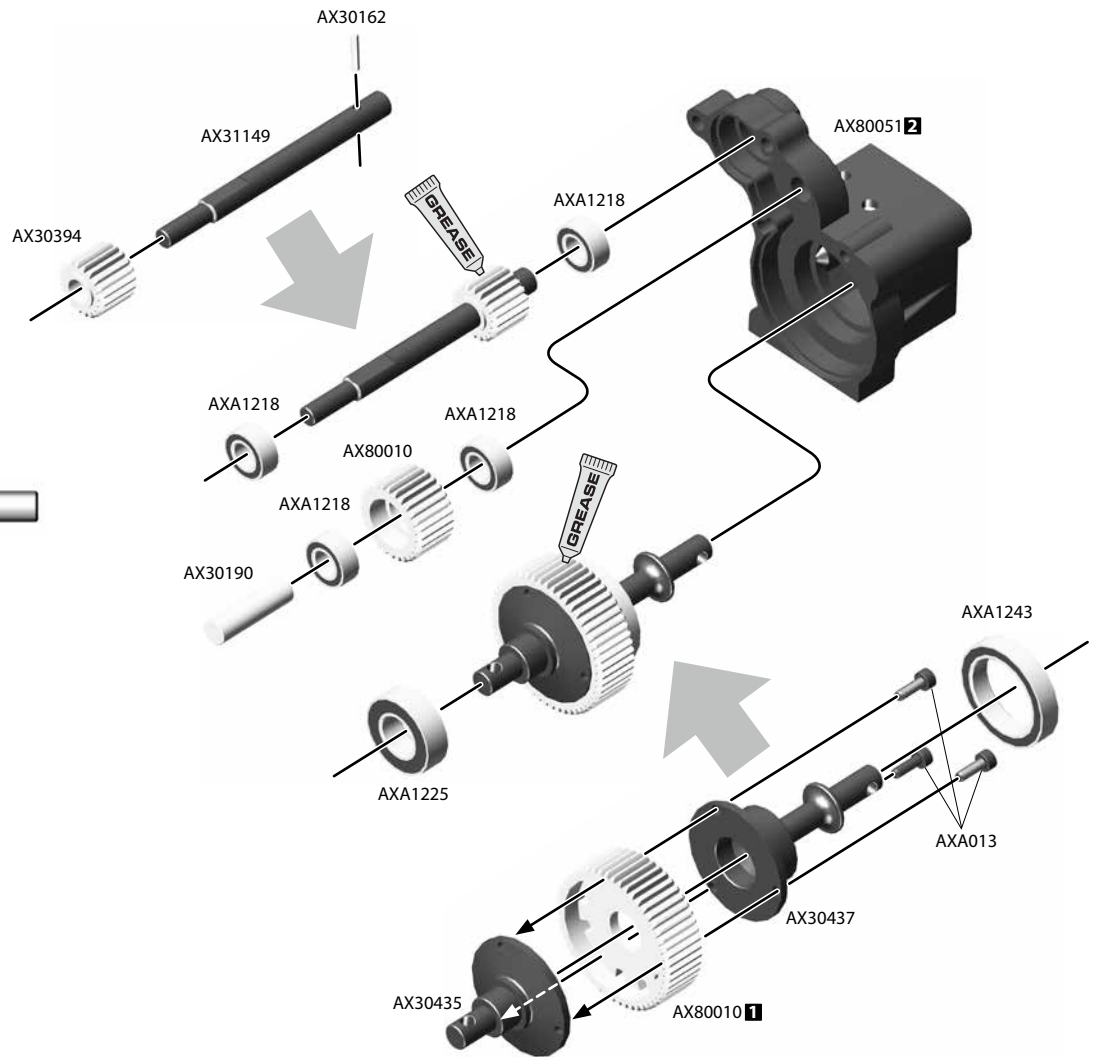
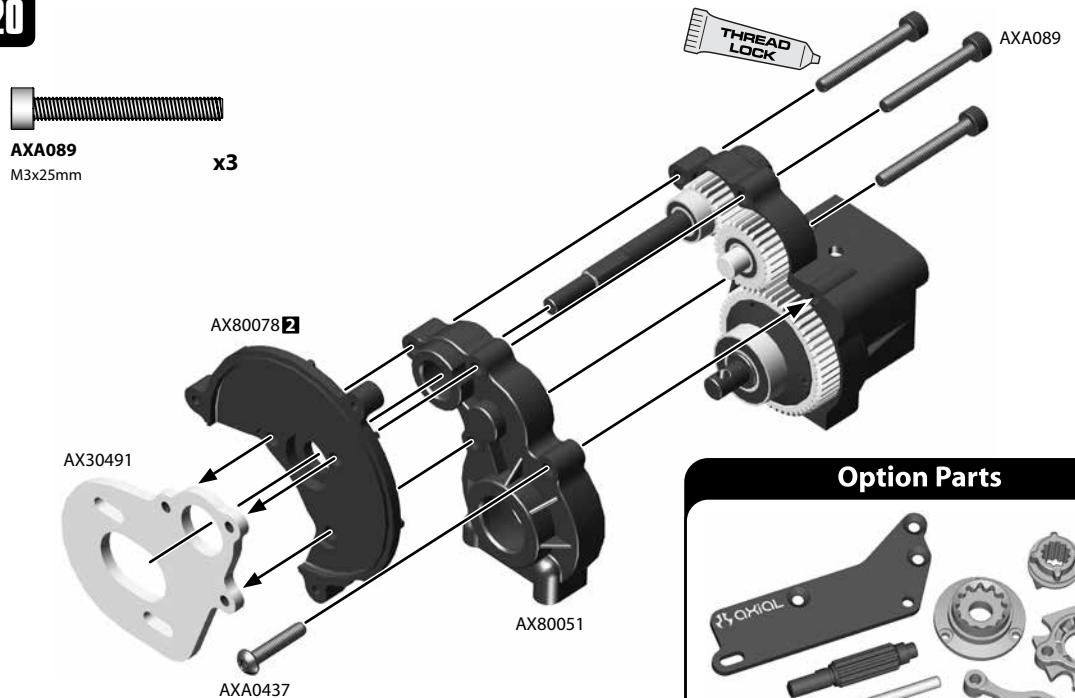
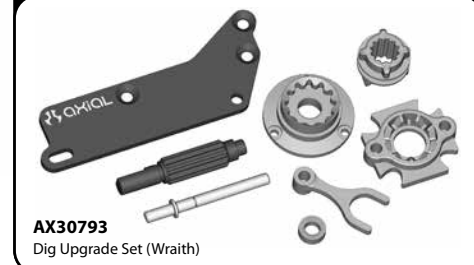
**AX30437** x1  
Dig Lockout Shaft



**AX30435** x1  
Steel Outdrive Shaft

**AXA013** x3  
M2x6mm

**AXA0437** x1  
M3x15mm

**19****20****Option Parts**

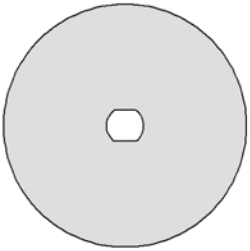
**AX30793**  
Dig Upgrade Set (Wraith)



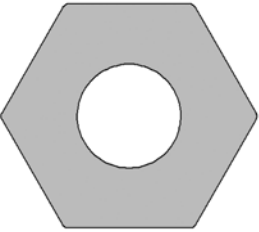
**AXA1045**  
M4 Nylon Lock Nut (Black) **x1**



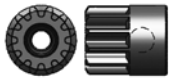
**AX30413**  
Slipper spring **x1**



**AX31059**  
Slipper Plate Washer 33x1mm **x2**



**AX31068**  
Slipper Pad 32.8x15.2x1mm **x2**



**AX30723**  
Pinion 32DP 12T **x1**



**AXA1070**  
Washer 3x6x0.5 mm **x2**



**AXA083**  
M3x6mm **x2**



**AXA1221**  
Bearing 5x11x4mm **x1**



**AXA180**  
M3x3mm **x1**



**AXA0113**  
M3x6mm **x2**

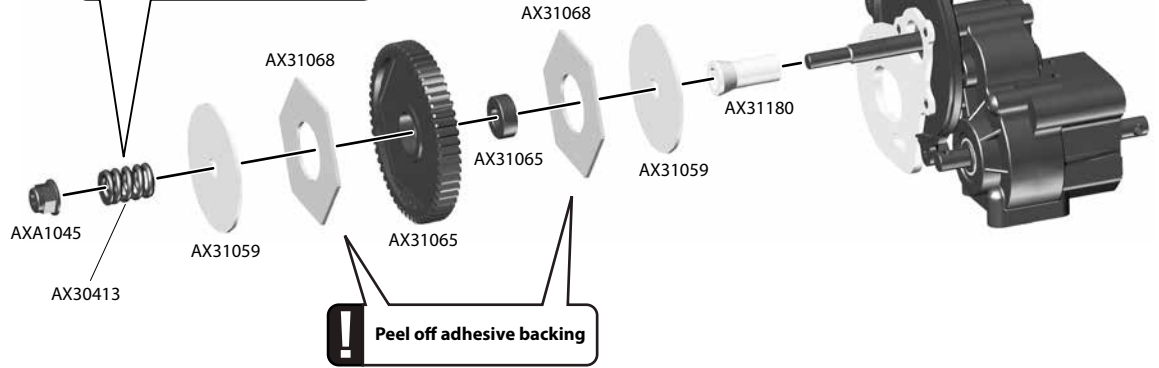
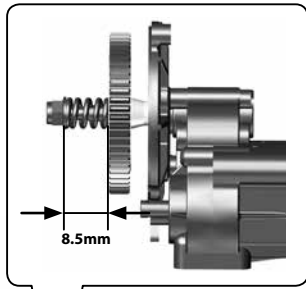


**AXA436**  
M3x12mm **x2**

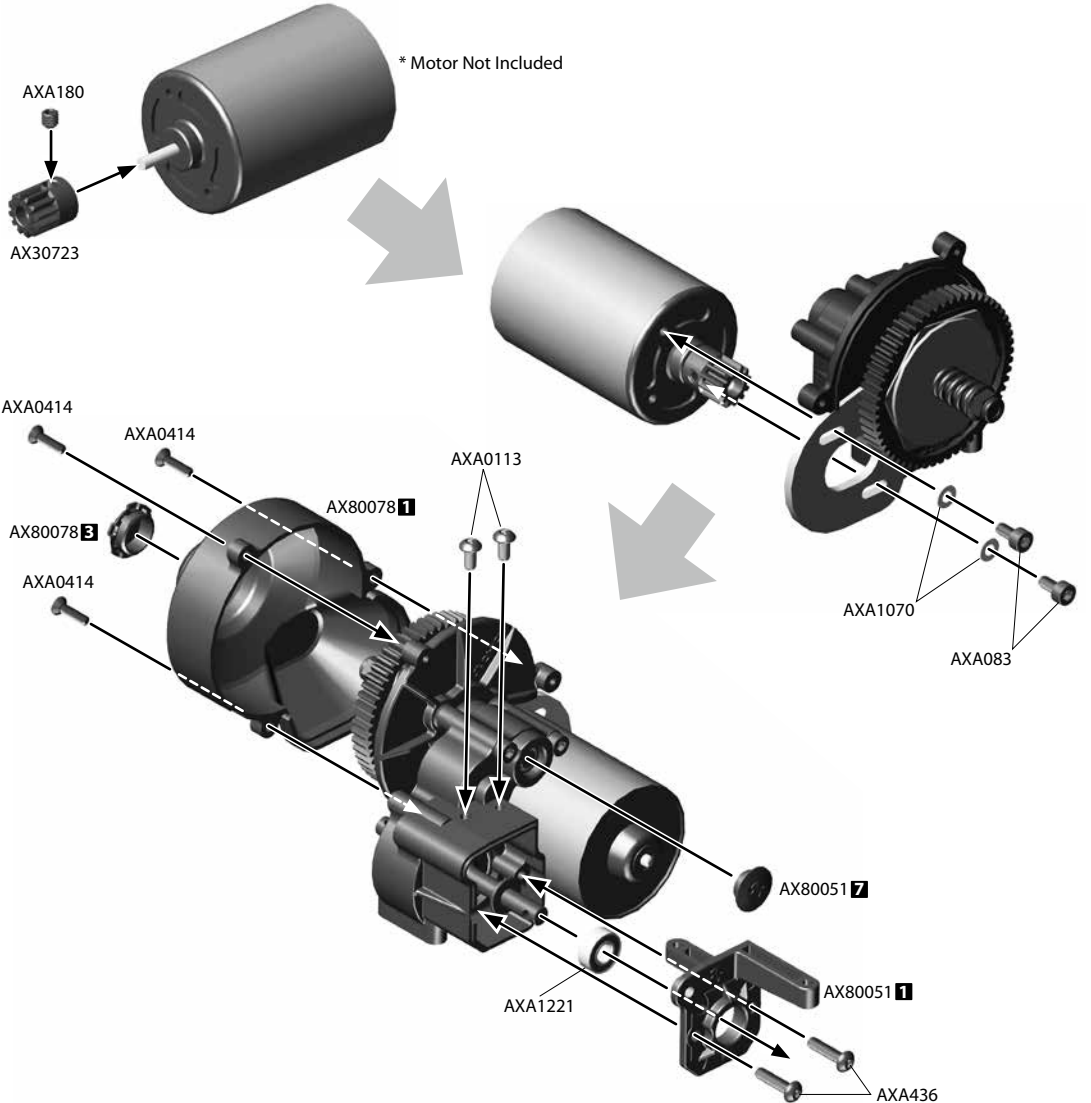


**AXA0414**  
M2.6x10mm **x3**

**21**



**22**



# 23 Front



**AXA0286**  
Screw Shaft M4x2.5x12mm x1



**AXA465**  
M3x10mm x2



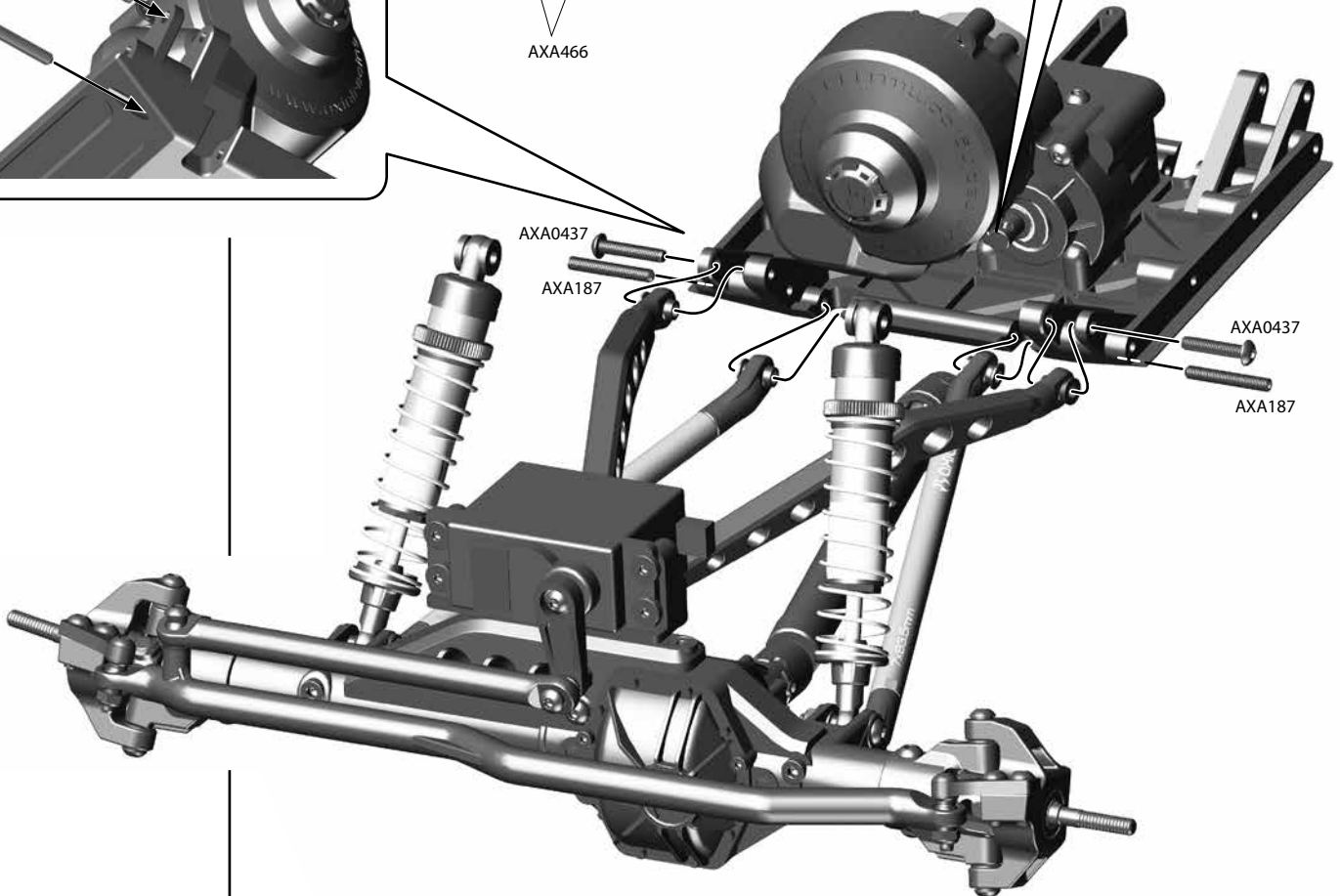
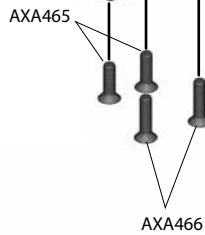
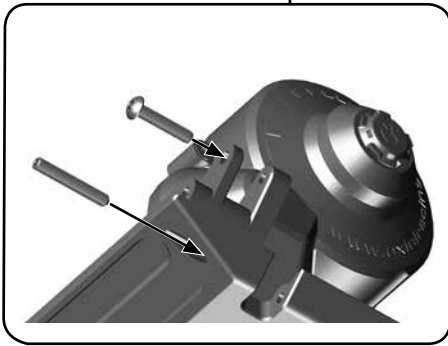
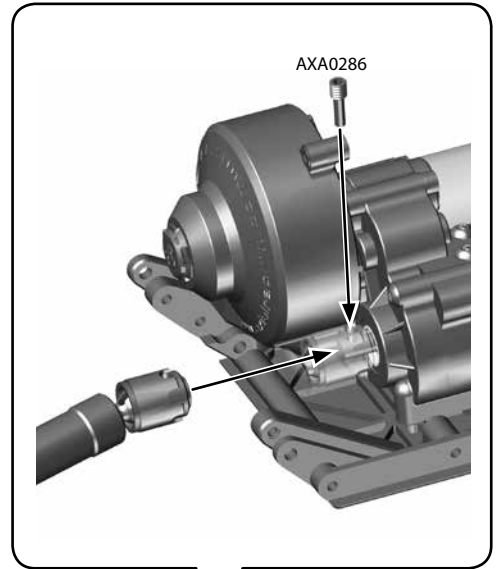
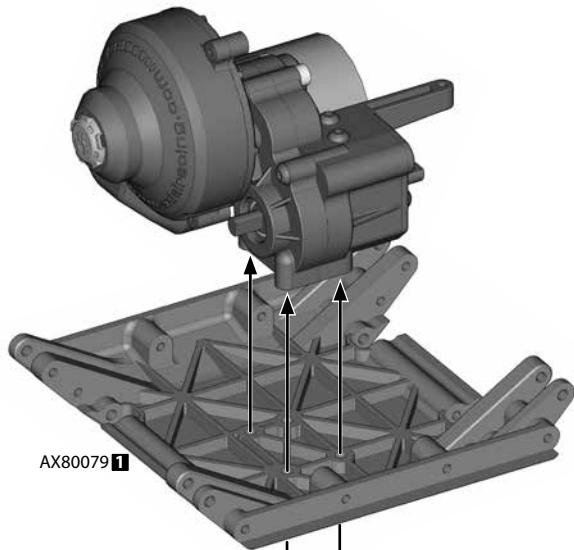
**AXA466**  
M3x12mm x2



**AXA0437**  
M3x15mm x2



**AXA187**  
M3x20mm Set Screw (Black Oxide) x2





# 24 Rear



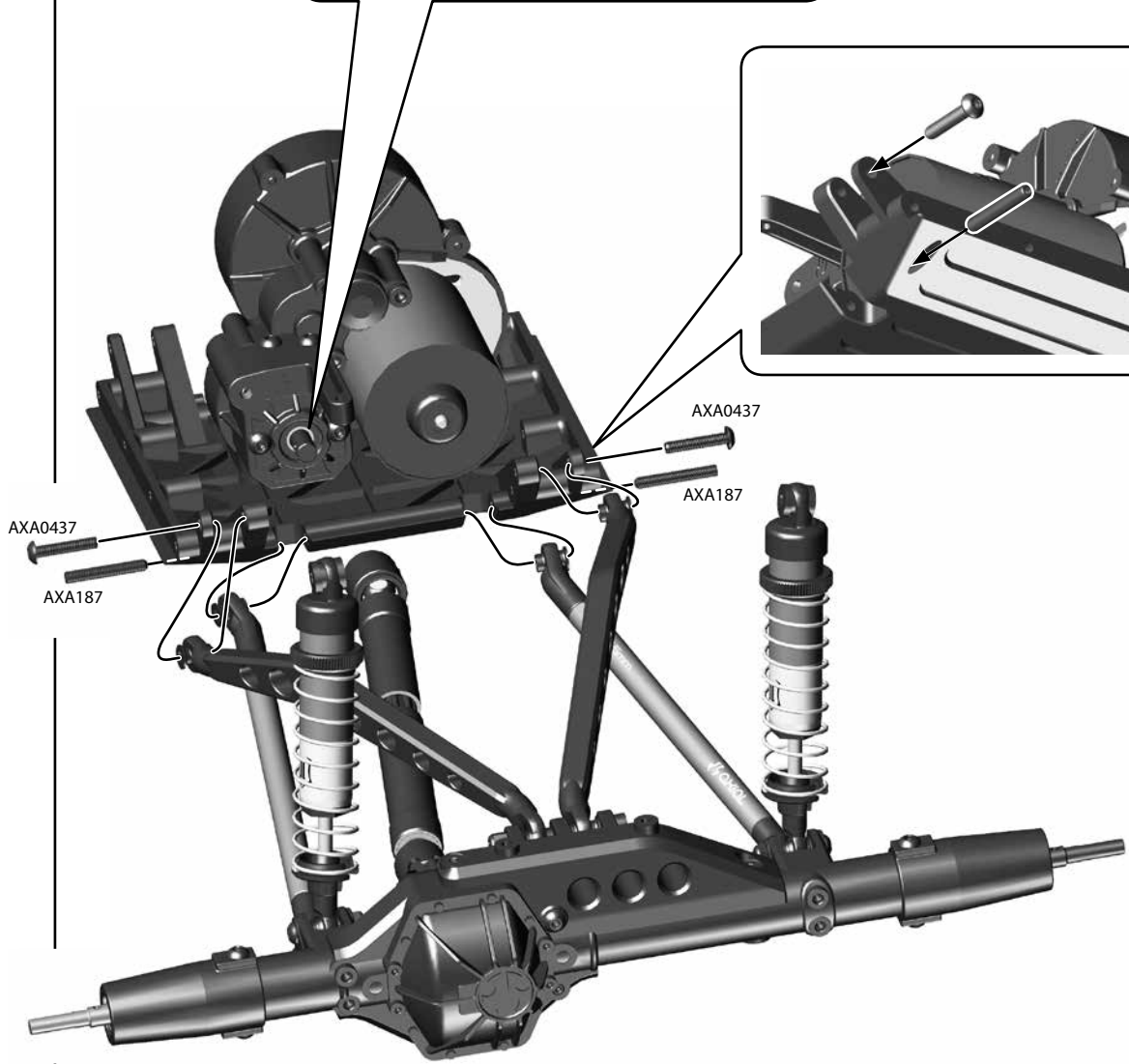
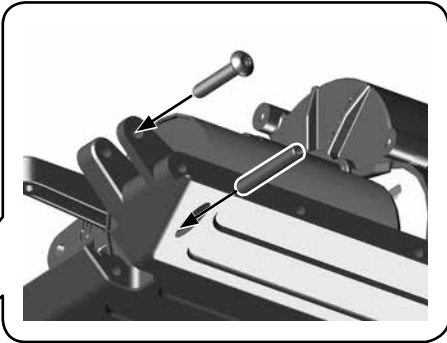
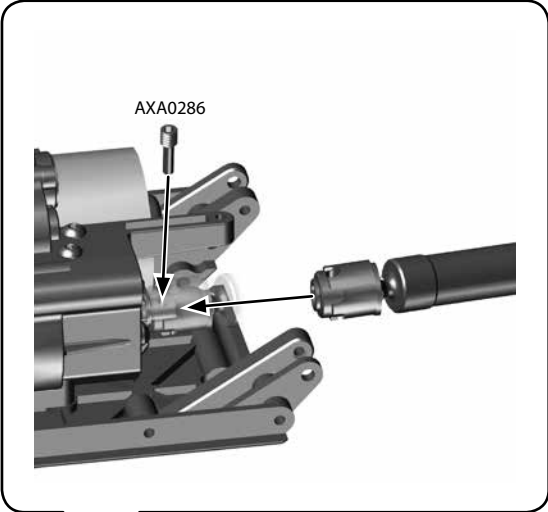
**AXA0286**  
Screw Shaft M4x2.5x12mm **x1**



**AXA0437**  
M3x15mm **x2**



**AXA187**  
M3x20mm Set Screw (Black Oxide) **x2**



E

Open Bag E

3

Open Plastic Bag 3

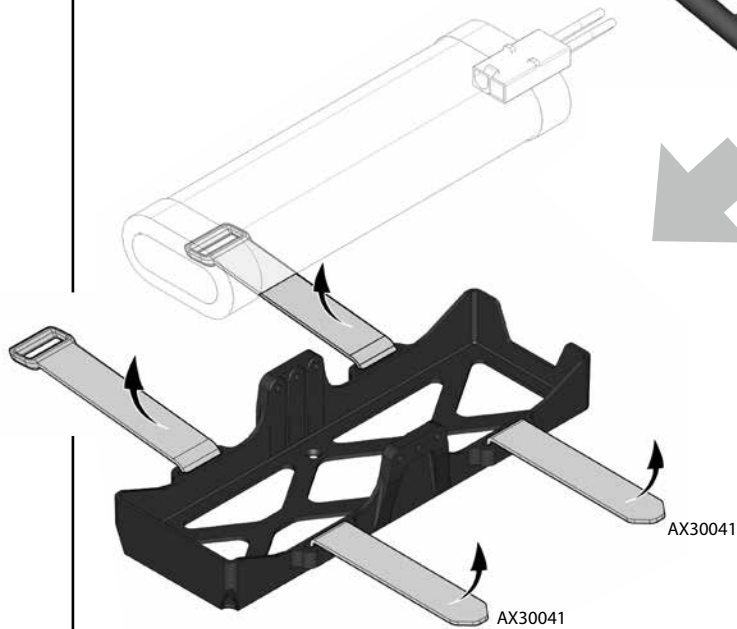
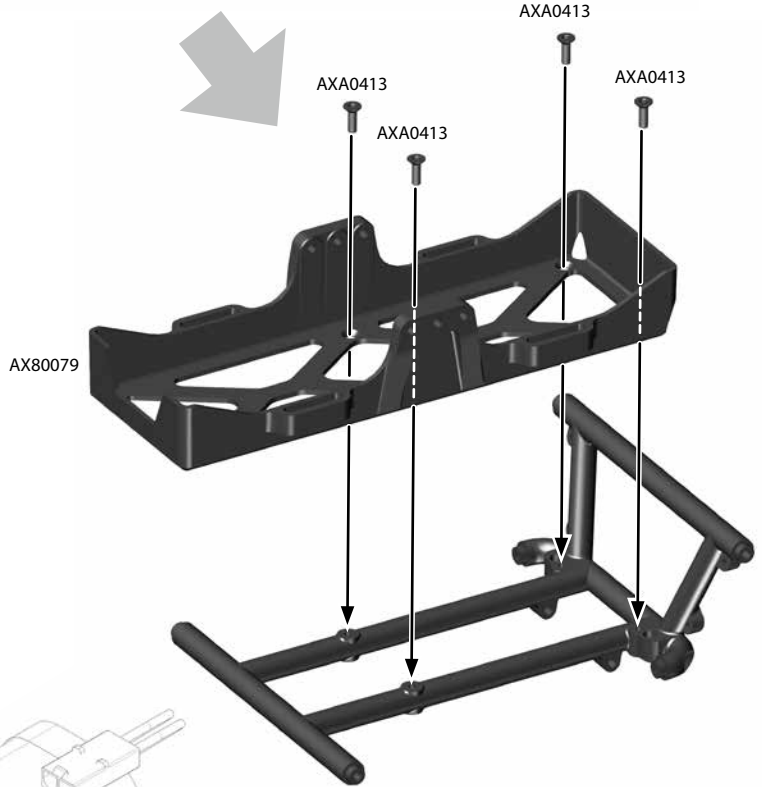
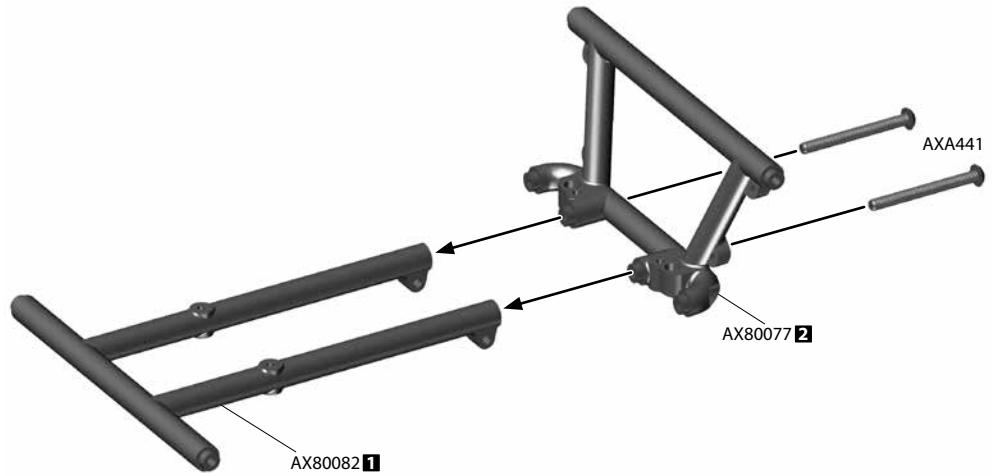
25



AXA0413  
M2.6x8mm x4



AXA441  
M3x30mm x2





**AXA0437**  
M3x15mm

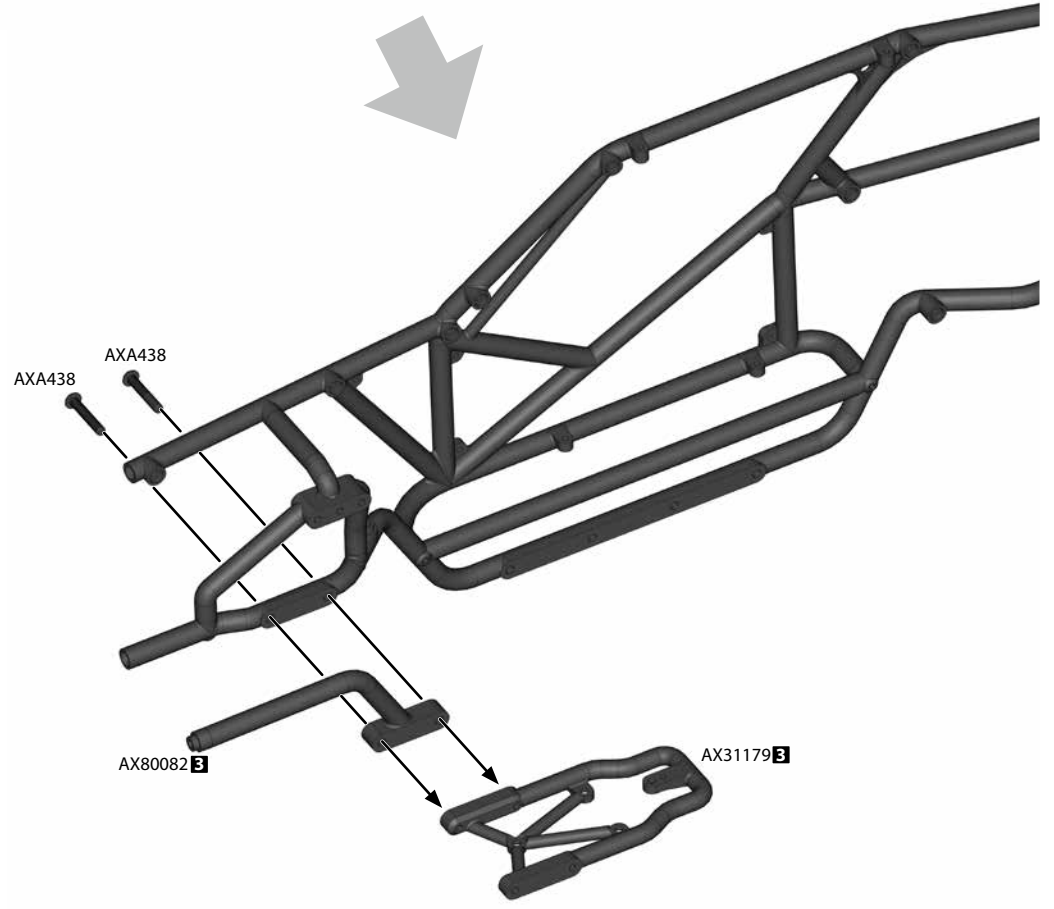
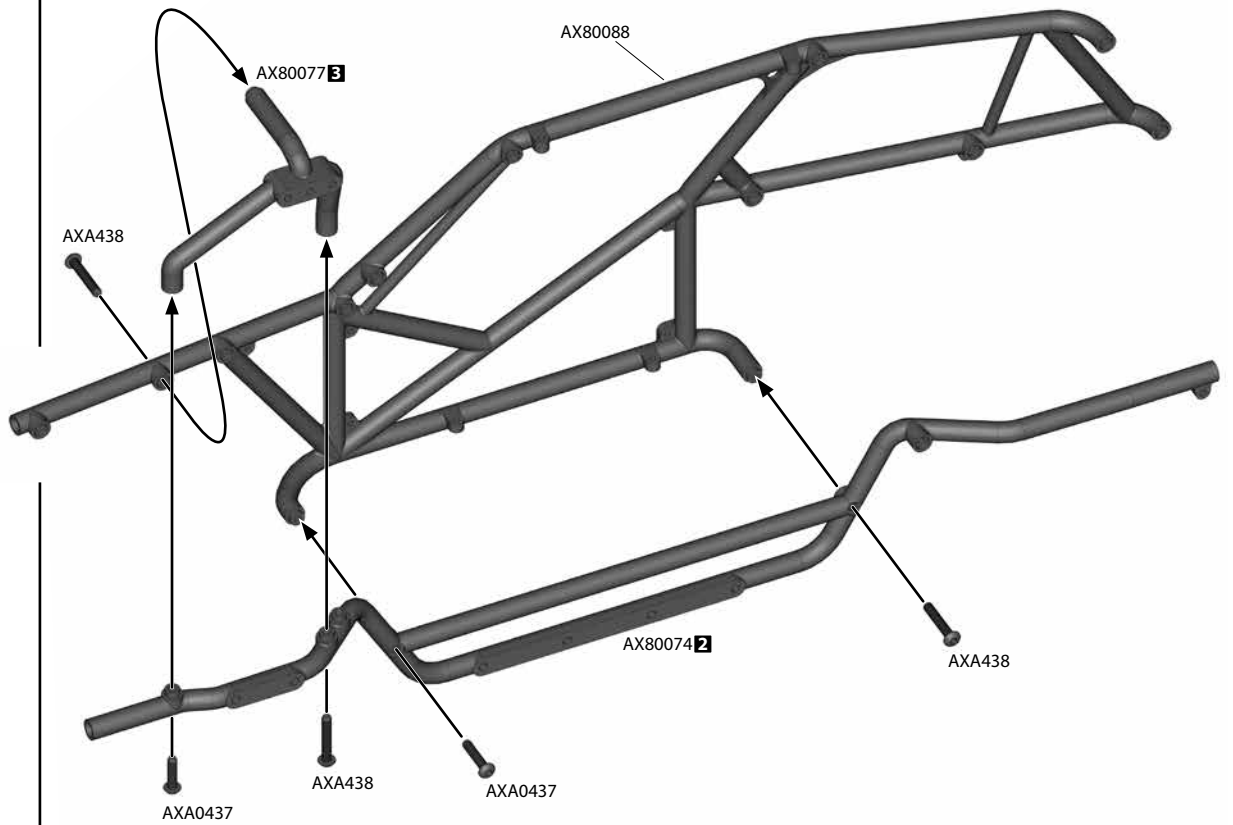
x2



**AXA438**  
M3x18mm

x5

# 26 Left





AXA0437  
M3x15mm

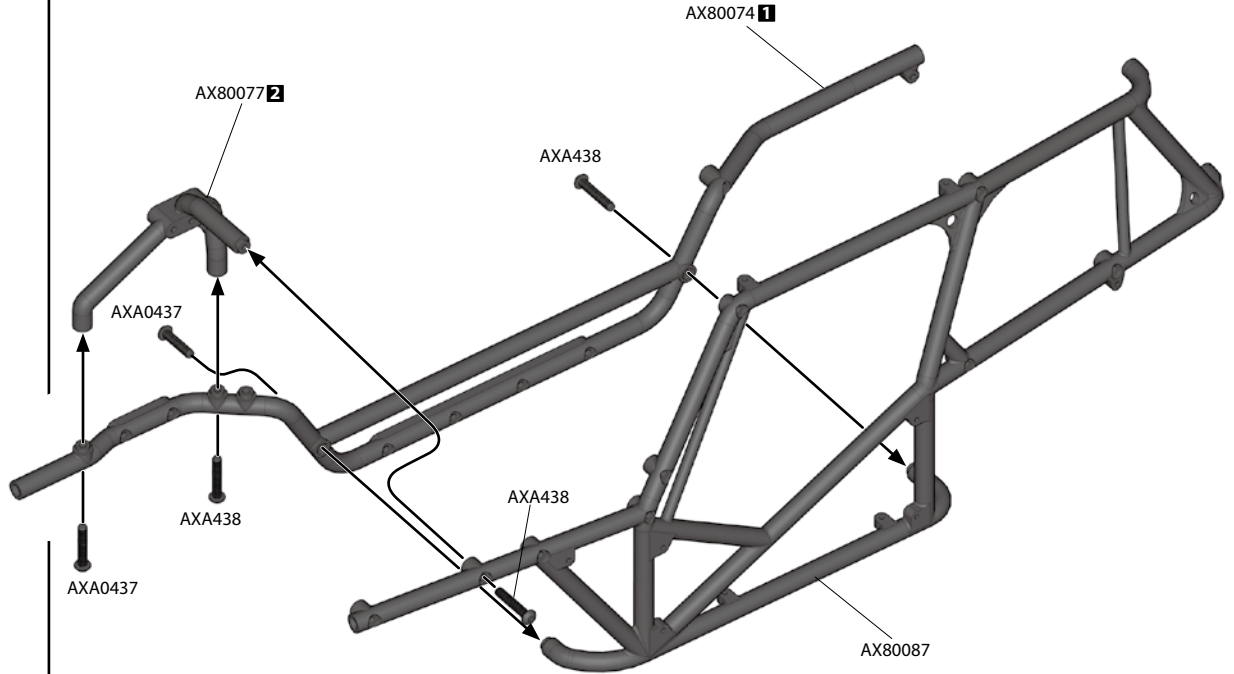
x2



AXA438  
M3x18mm

x3

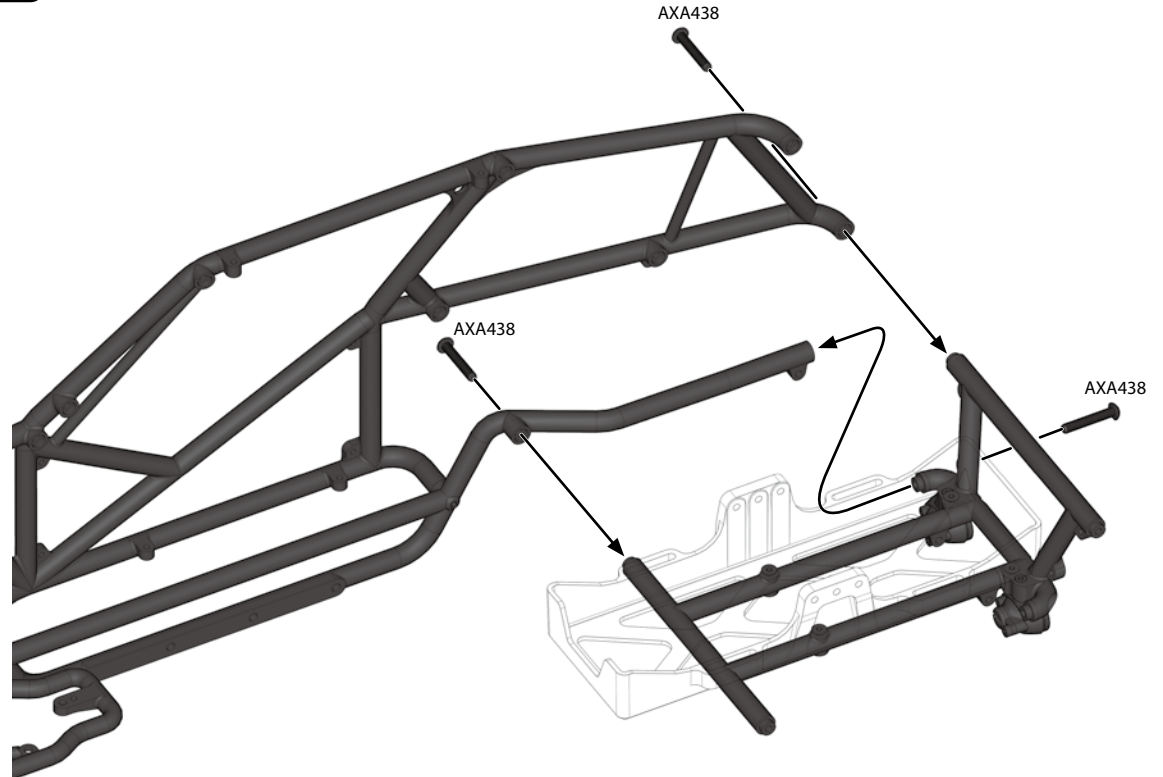
## 27 Right



AXA438  
M3x18mm

x3

## 28



**AXA0414** x6  
M2.6x10mm

**AXA0413** x2  
M2.6x8mm

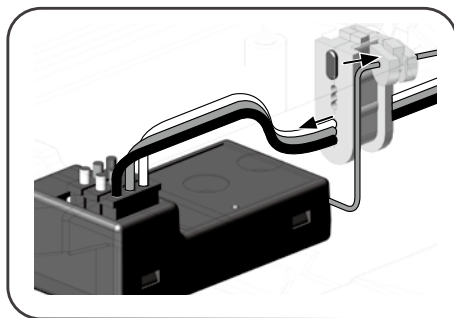
**AXA180** x1  
M3x3mm

**AX31083** x1  
Radio Box Seals

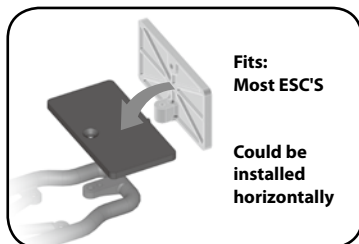
**AX31083** x1  
Radio Box Seals



**AX31083** x1  
Radio Box Seals

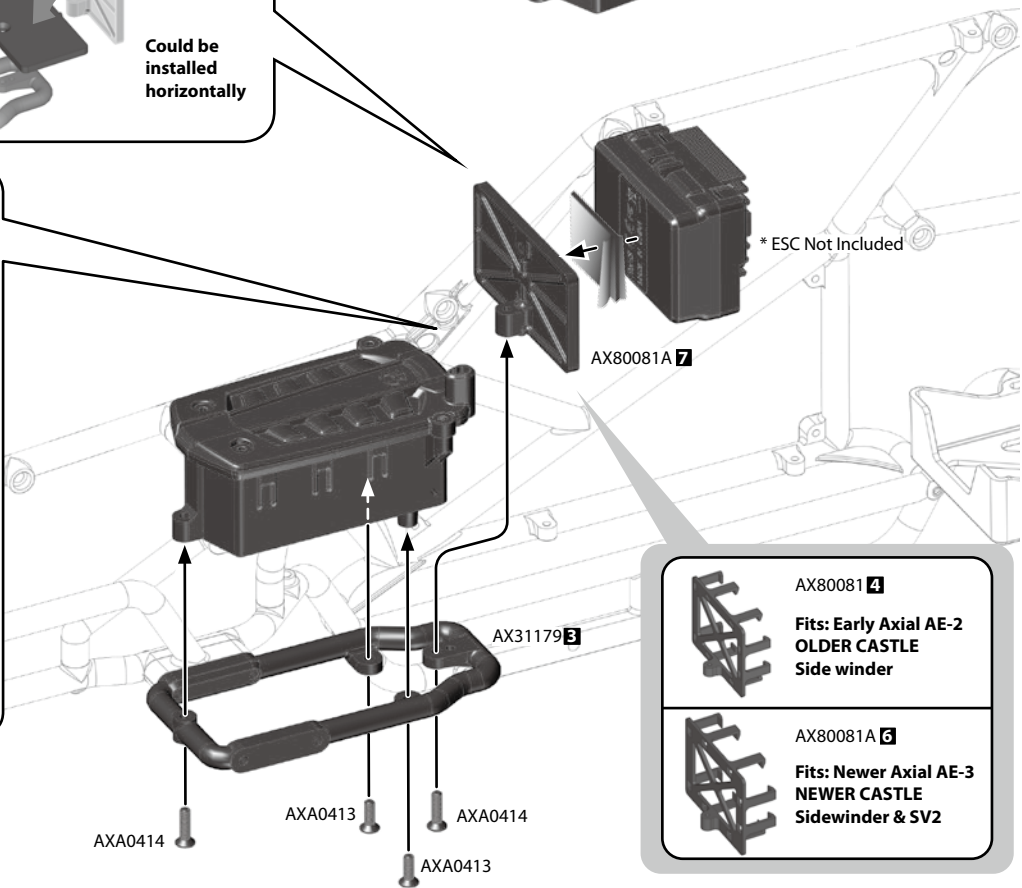
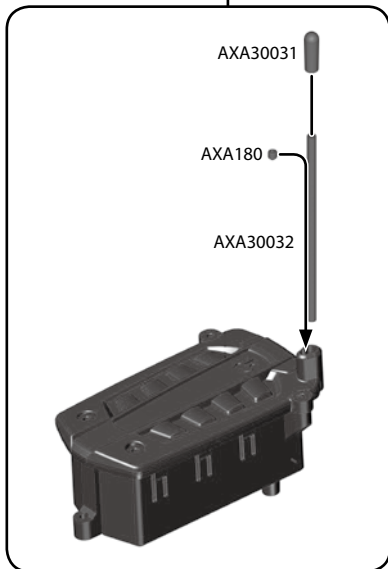
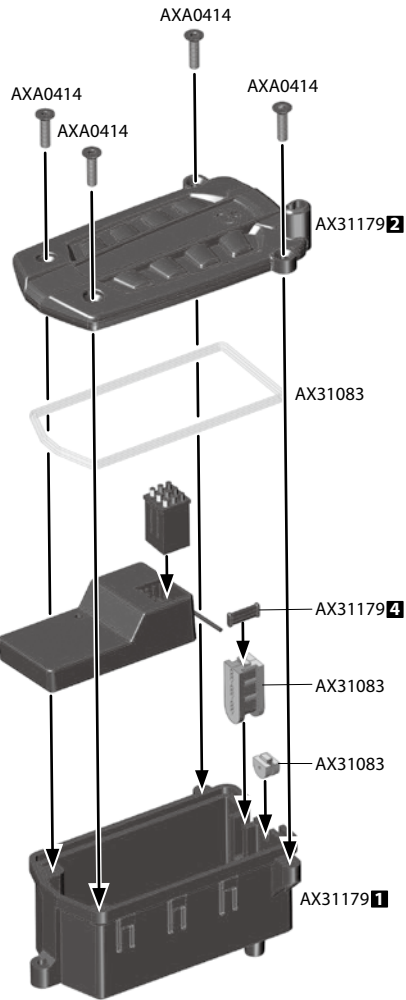


\* Receiver Not Included

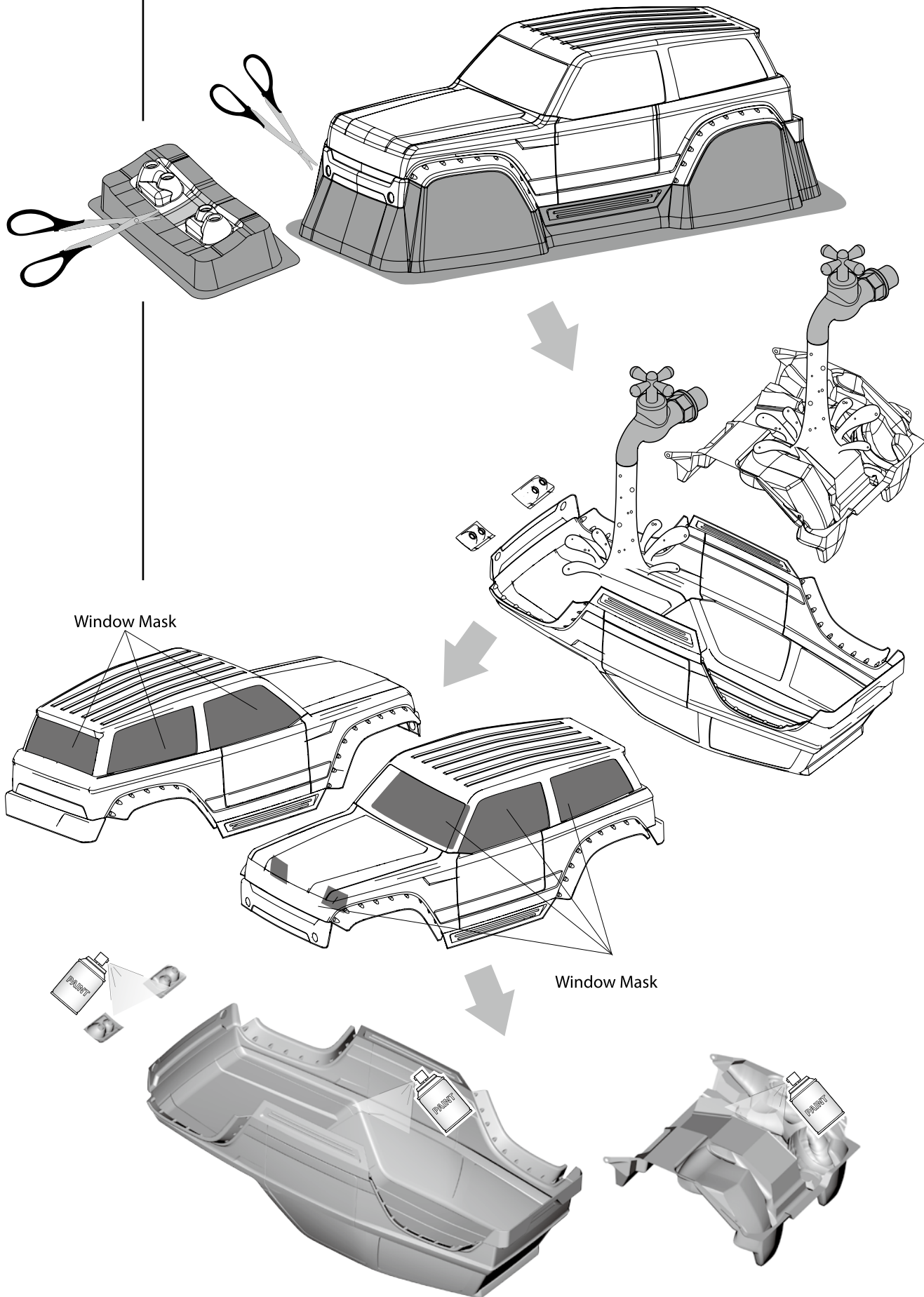


Fits:  
Most ESC'S

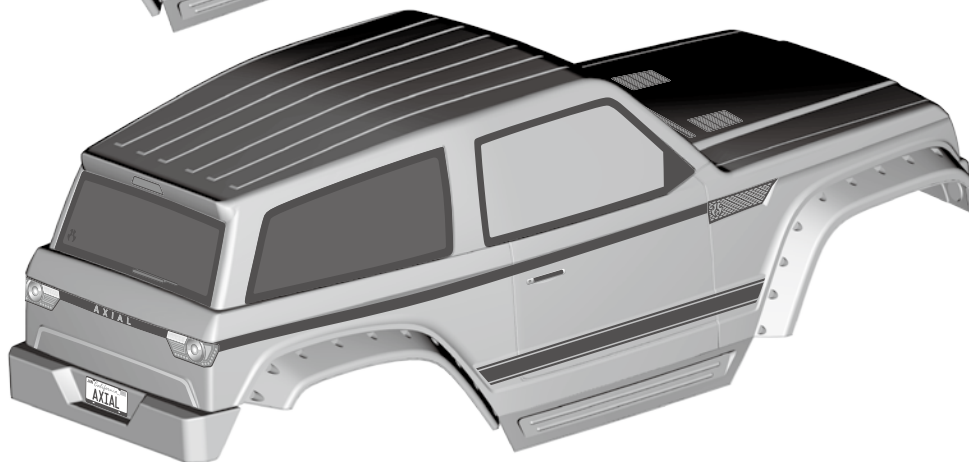
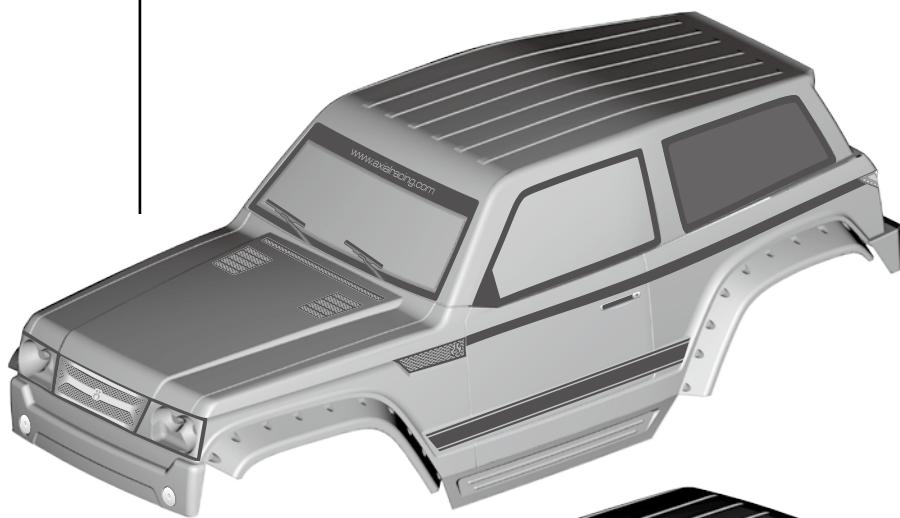
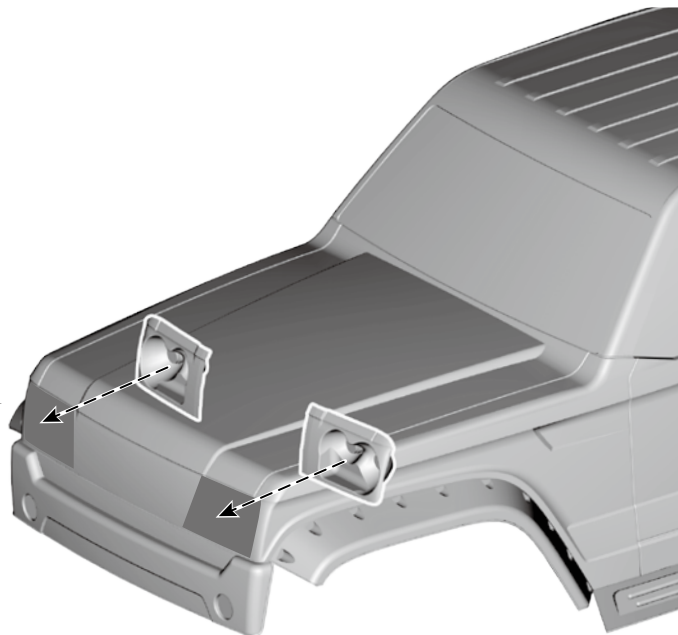
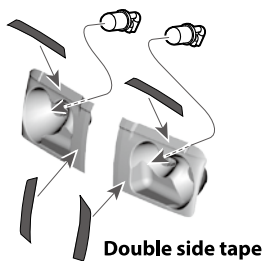
Could be  
installed  
horizontally

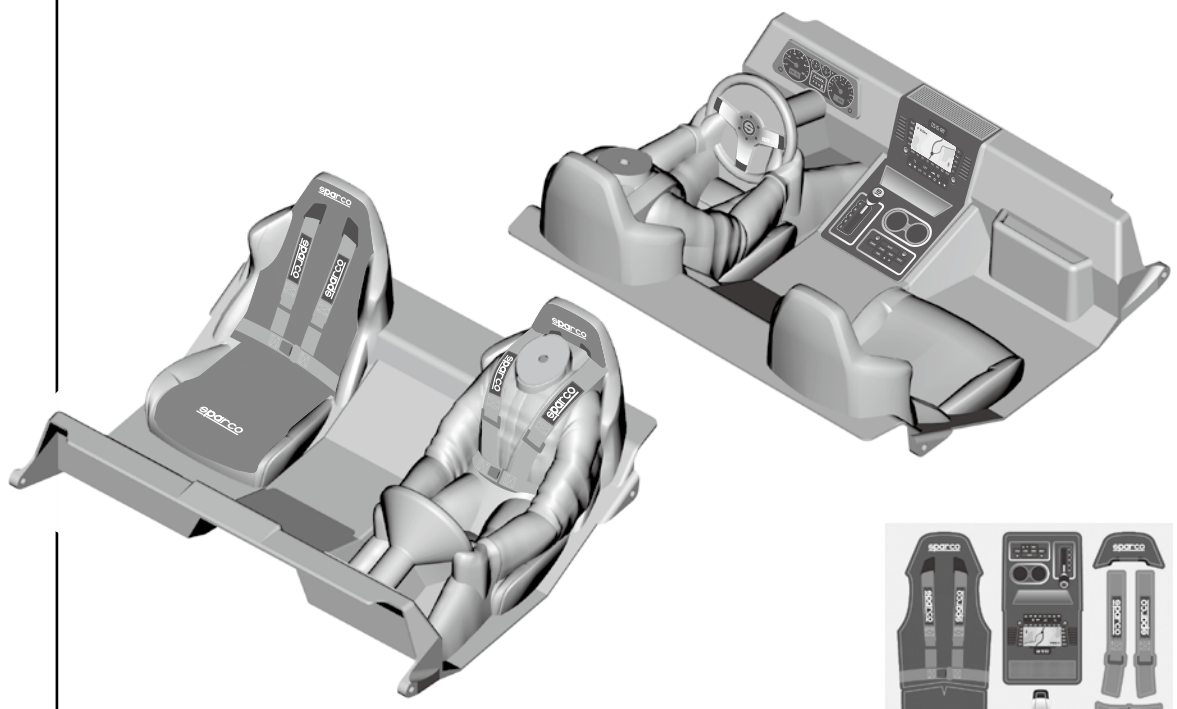


	<b>AX80081 4</b> Fits: Early Axial AE-2 OLDER CASTLE Side winder
	<b>AX80081A 3</b> Fits: Newer Axial AE-3 NEWER CASTLE Sidewinder & SV2

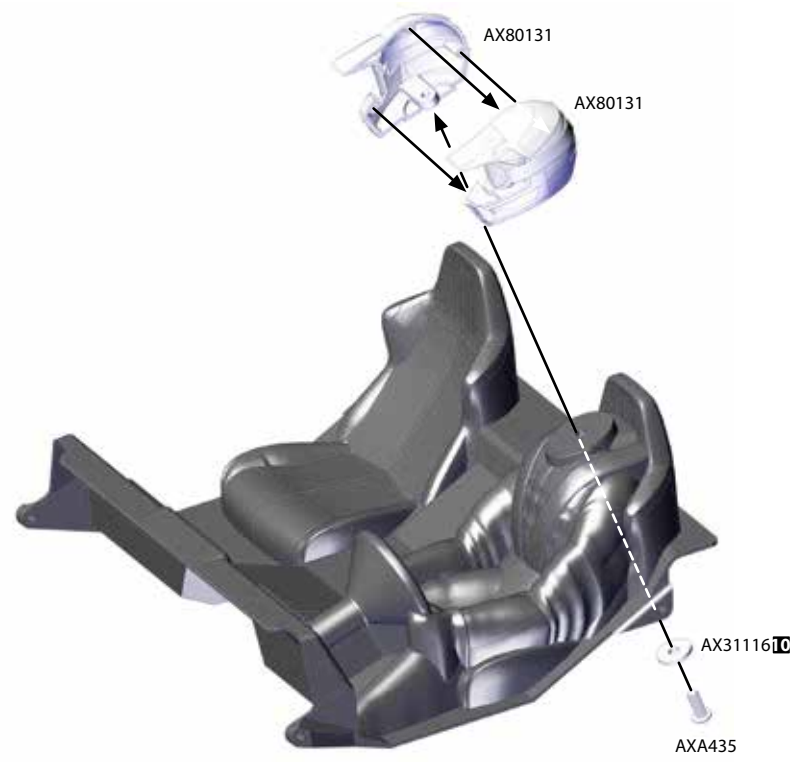


LED's not included.  
Use Axial AX24252  
Double LED Light.  
String with AX24257  
Simple LED Controller.





  
**AXA435**  
 M3x10mm Hex Socket  
 Tapping Button Head **x2**



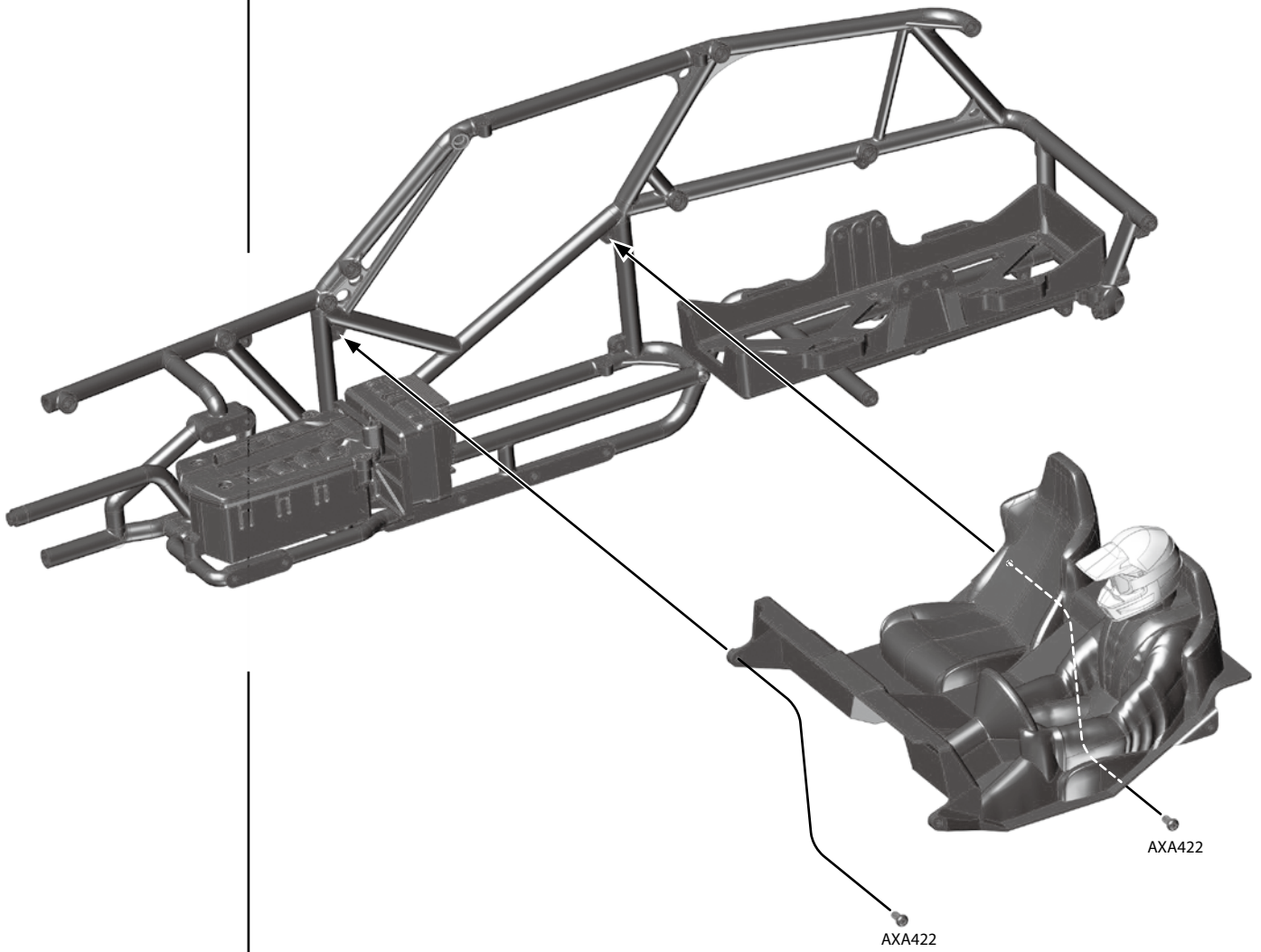


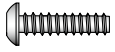
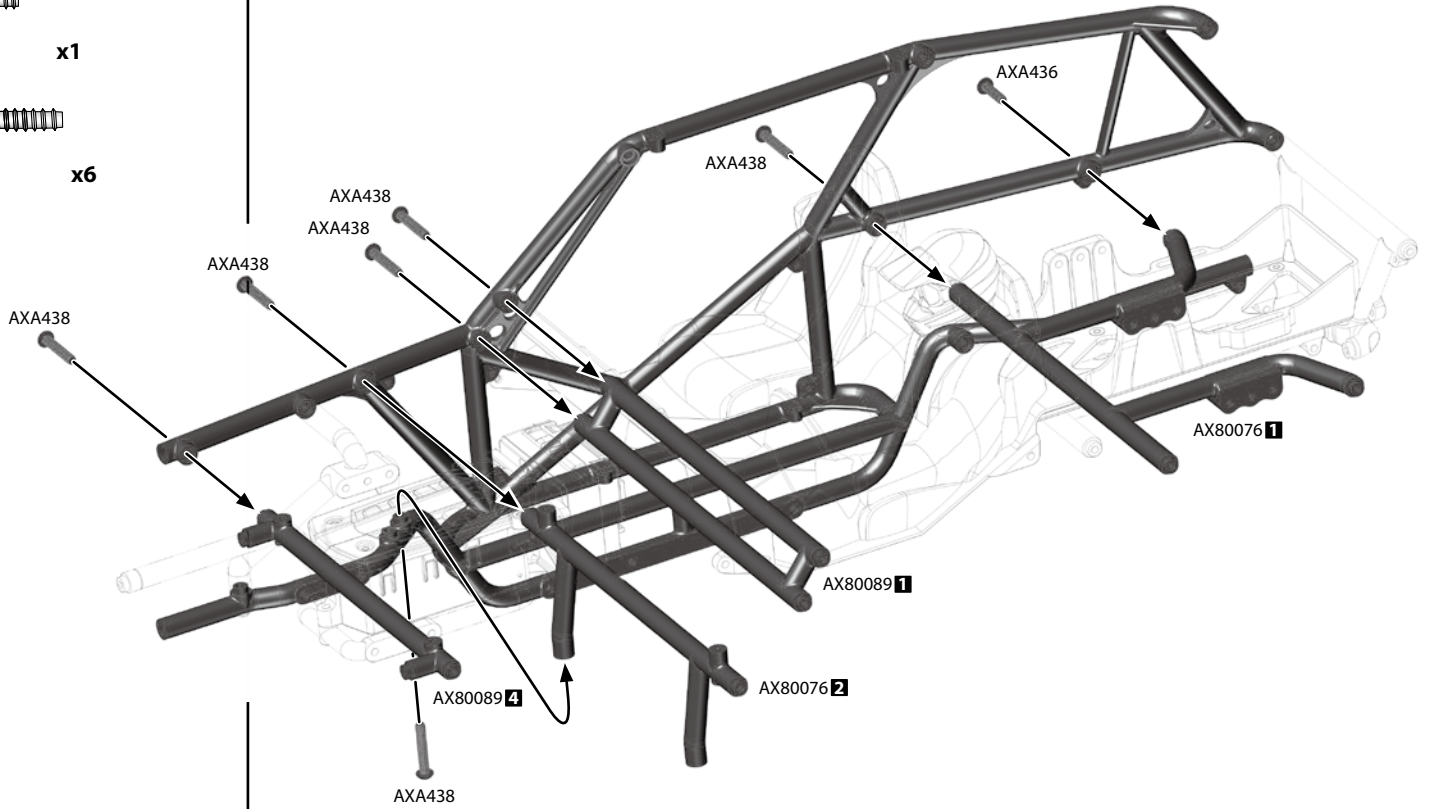
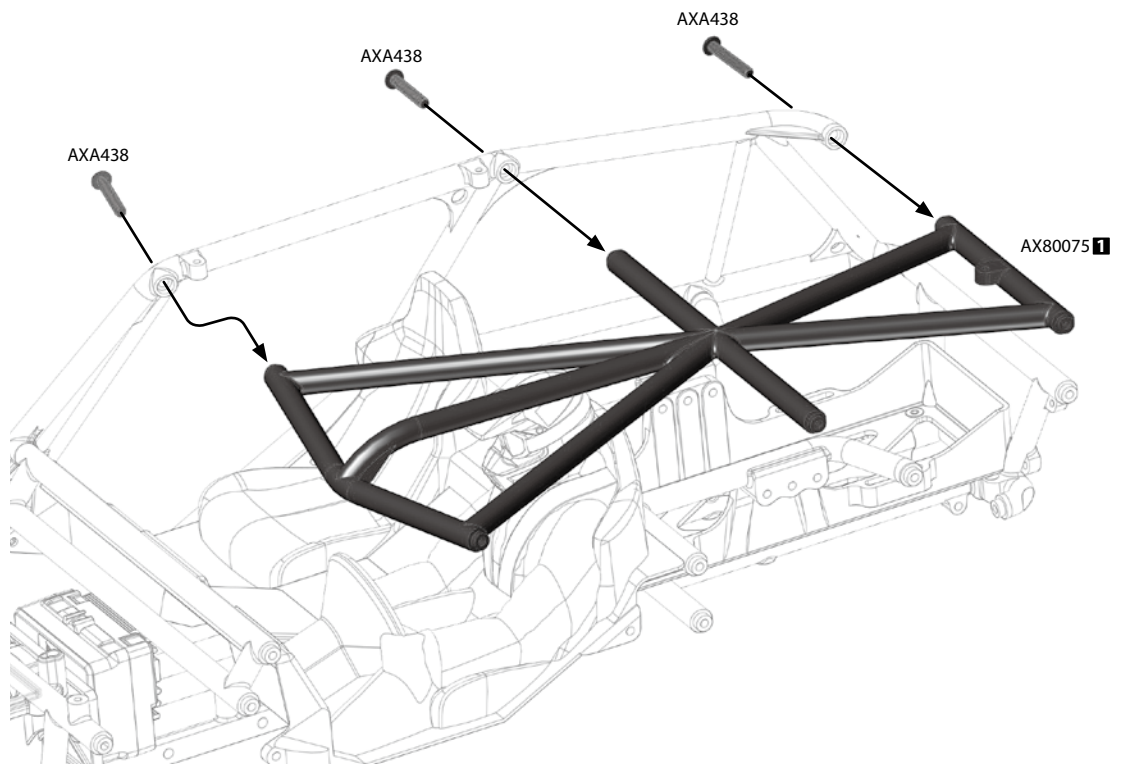





AXA0422  
M2.6x6mm

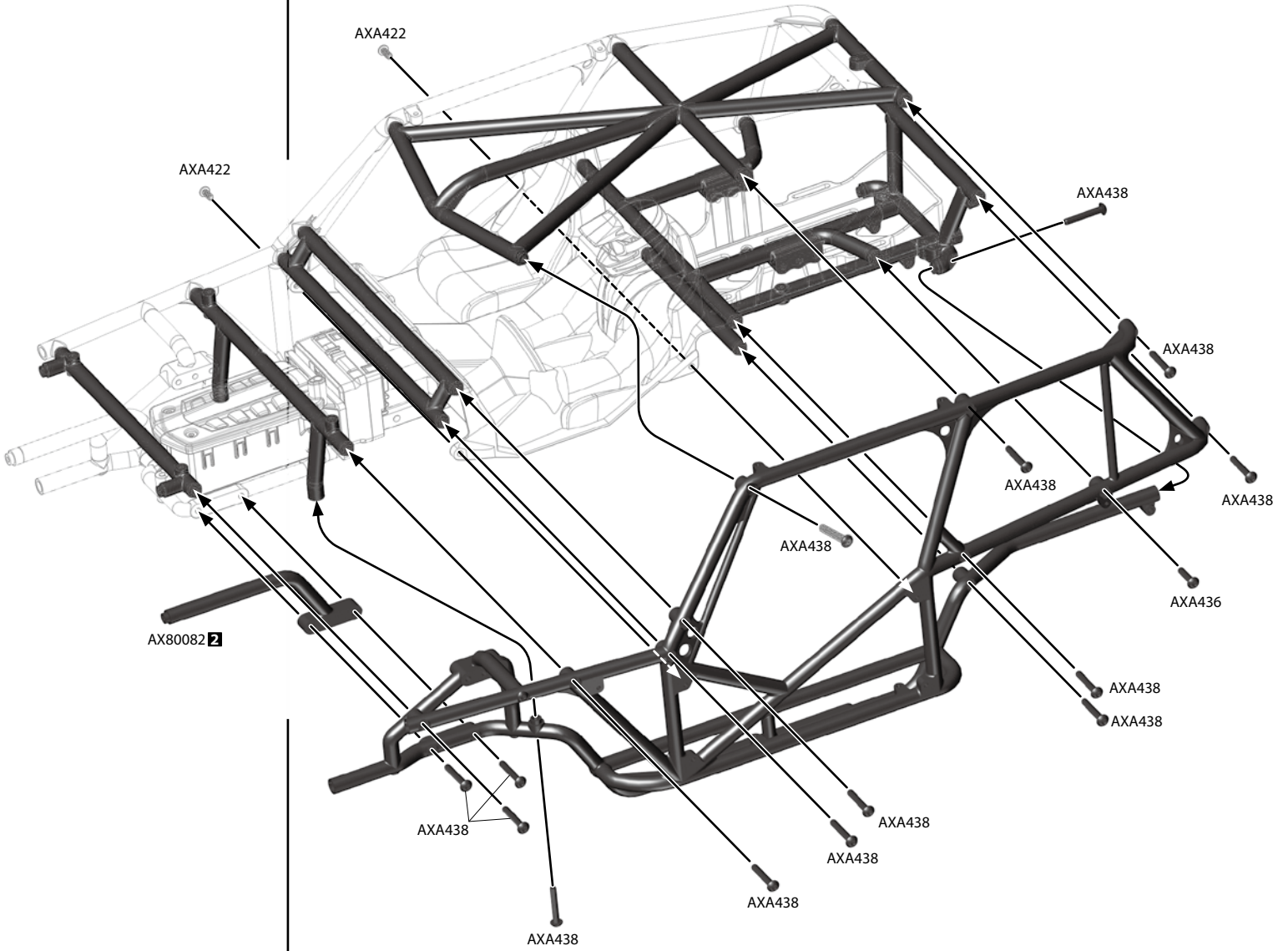
x2

33



**F****Open Bag F****34****AXA436**  
M3x12mm **x1****AXA438**  
M3x18mm **x6****AXA438**  
M3x18mm **x3****35**

-  **AXA0422** x2  
M2.6x6mm
-  **AXA436** x1  
M3x12mm
-  **AXA438** x14  
M3x18mm

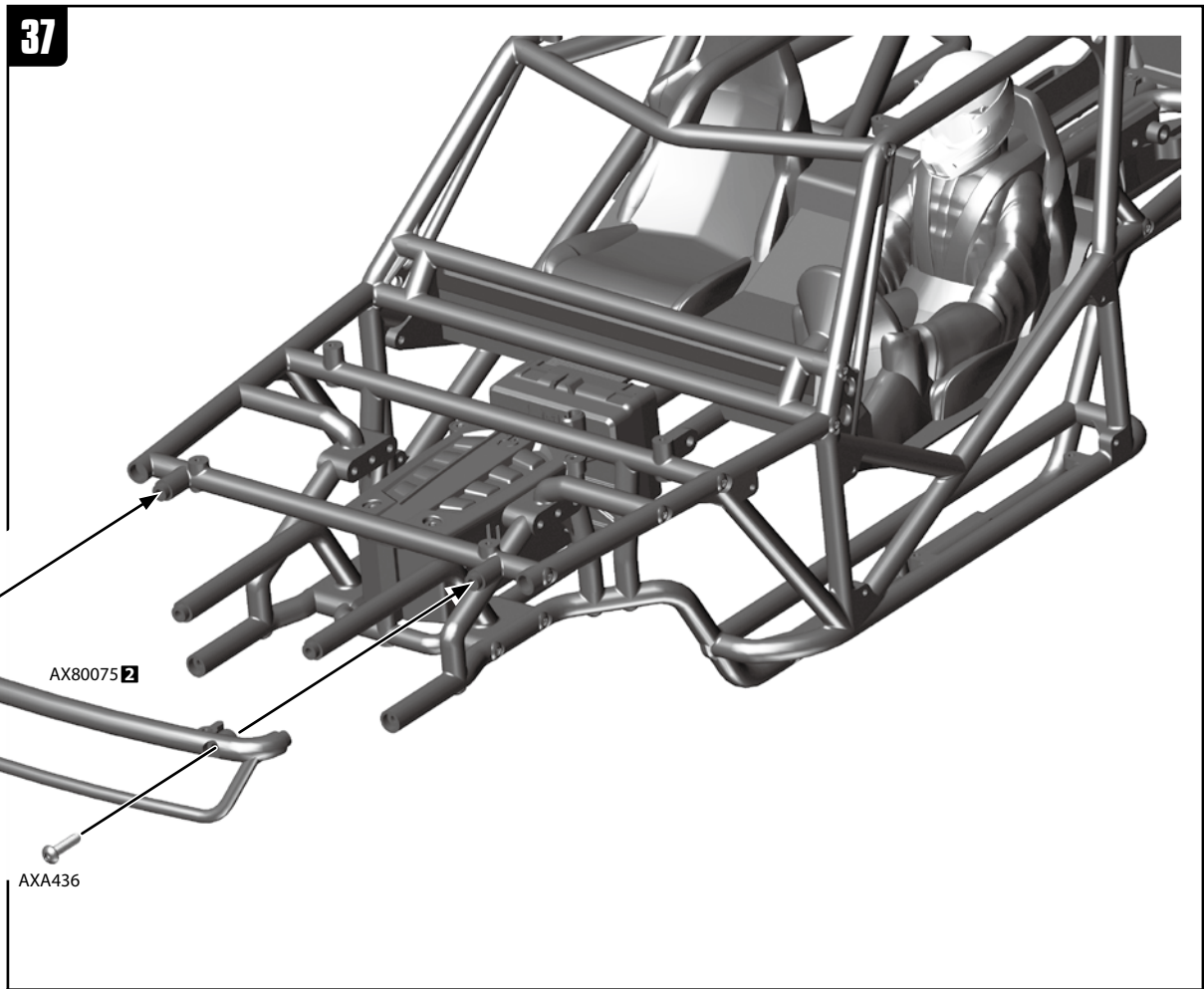




AXA436  
M3x12mm

x2

37



AX80075 2

AXA436

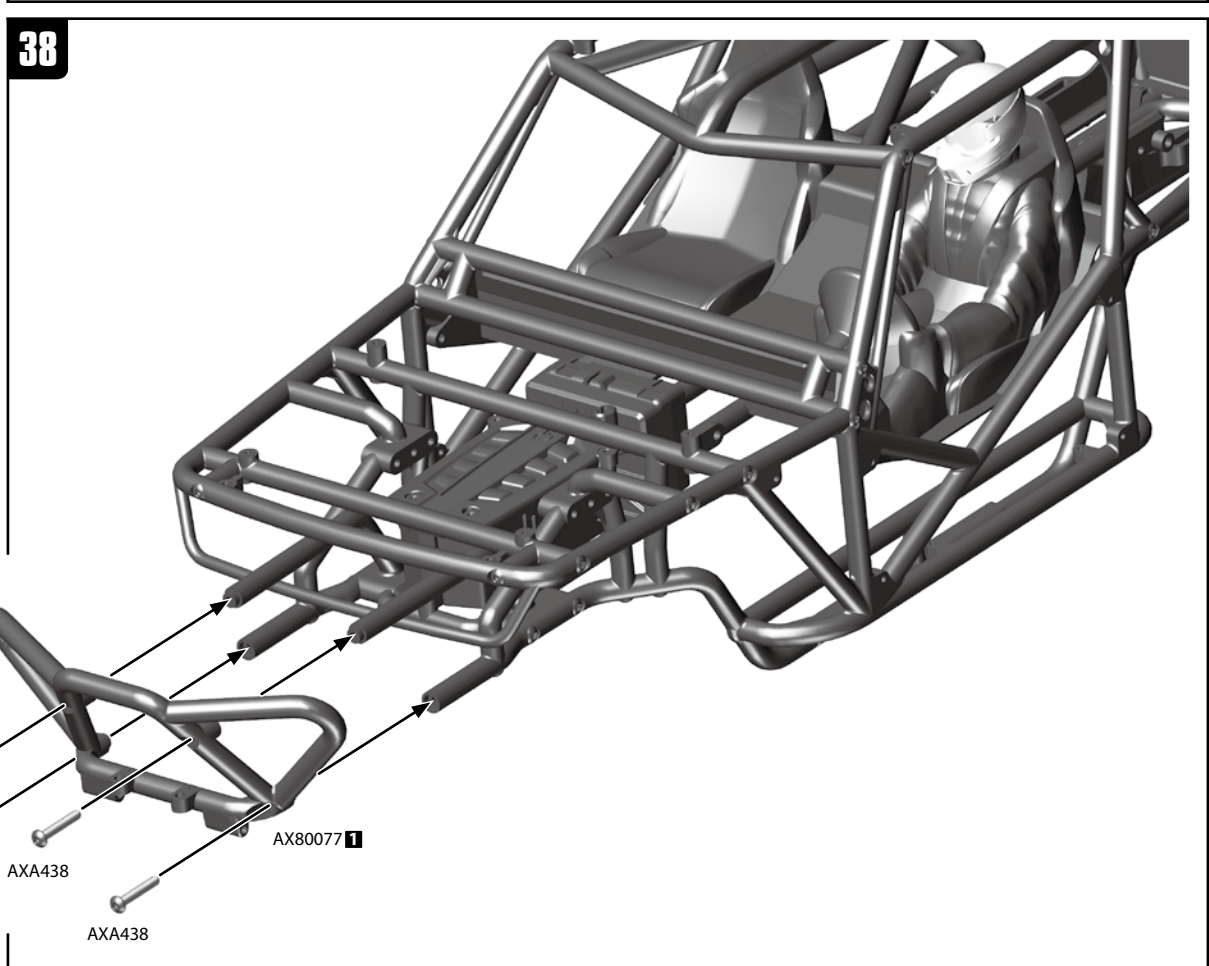
AXA436



AXA438  
M3x18mm

x4

38



AX80077 1

AXA438

AXA438

AXA438

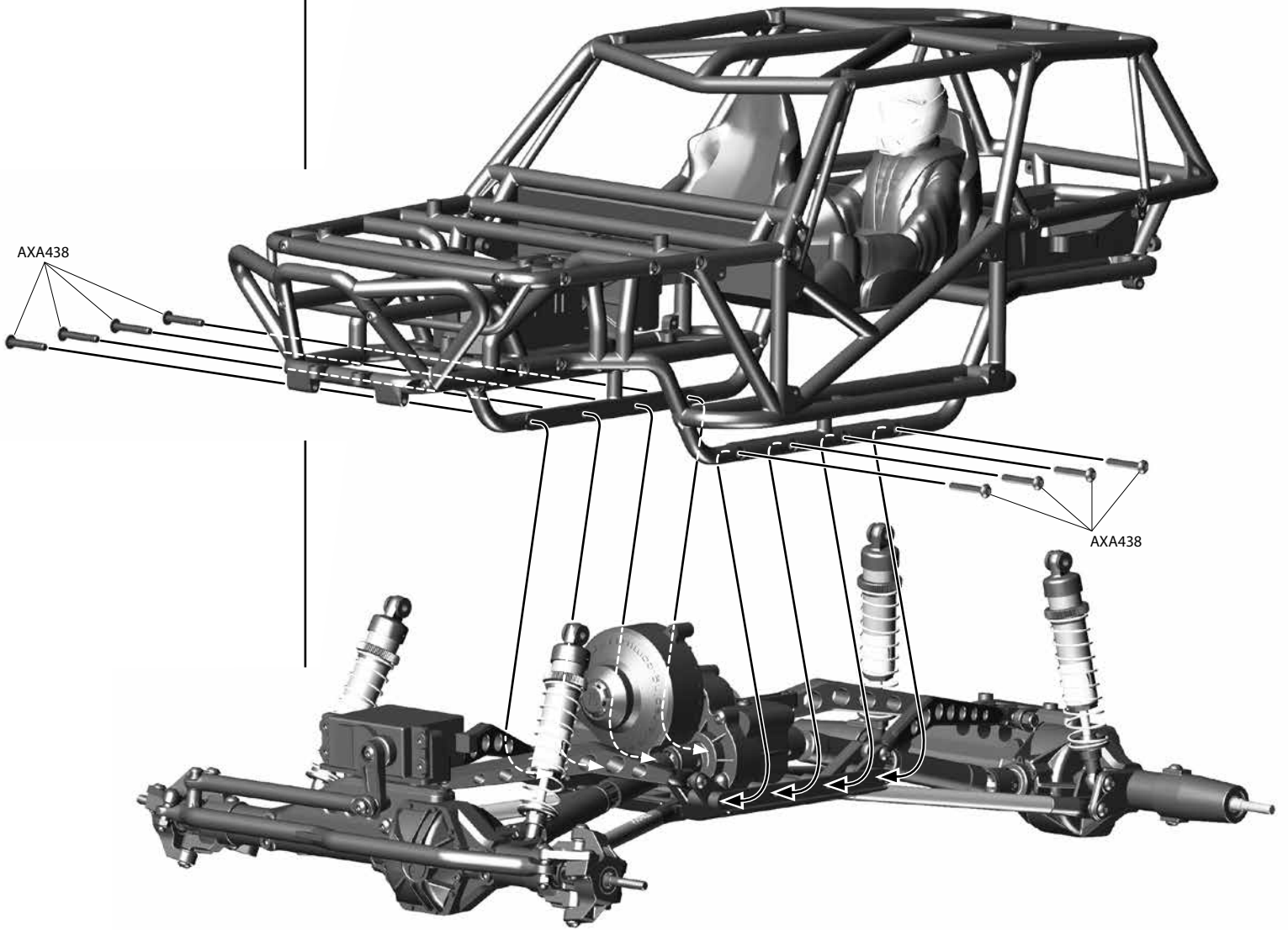
AXA438



AXA438  
M3x18mm

x8

39



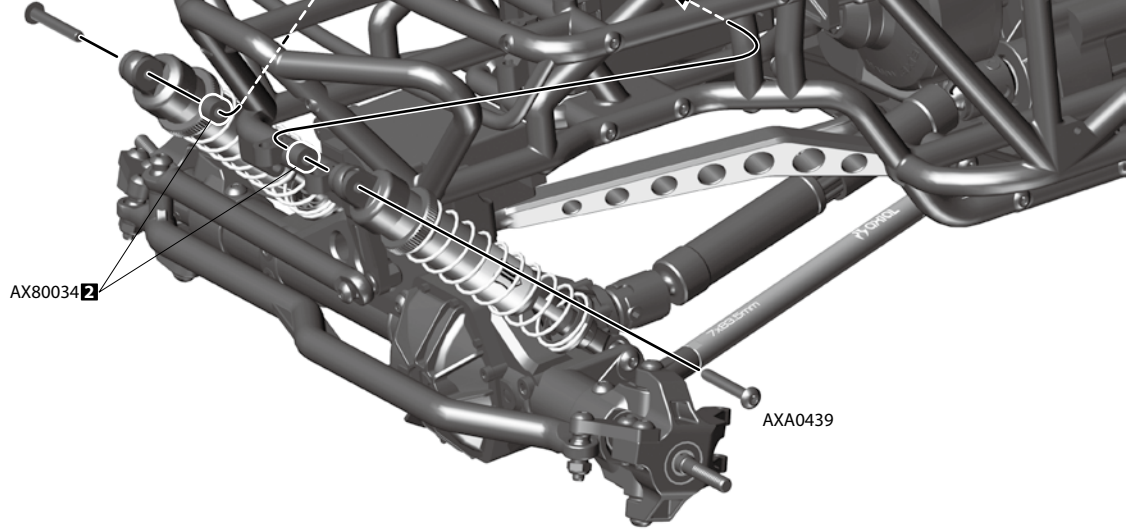


AXA0439  
M3x20mm

x2

## 40 Front

AXA0439



AX80034

AXA0439

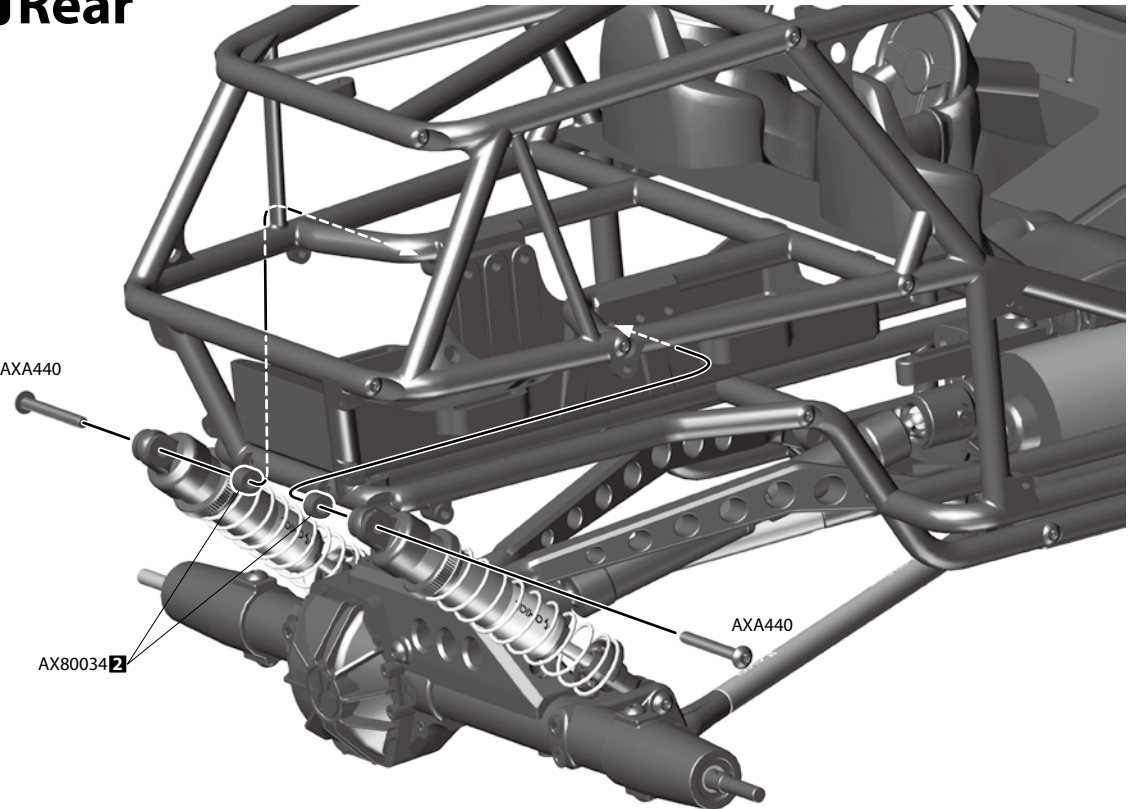


AXA440  
M3x25mm

x2

## 41 Rear

AXA440



AX80034

AXA440

**G****Open Bag G****42**

**AXA116**  
M3x12mm **x24**



**AXA0023**  
M2.6x8mm **x24**

**43**

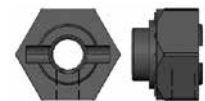
**AXA180**  
M3x3mm **x4**



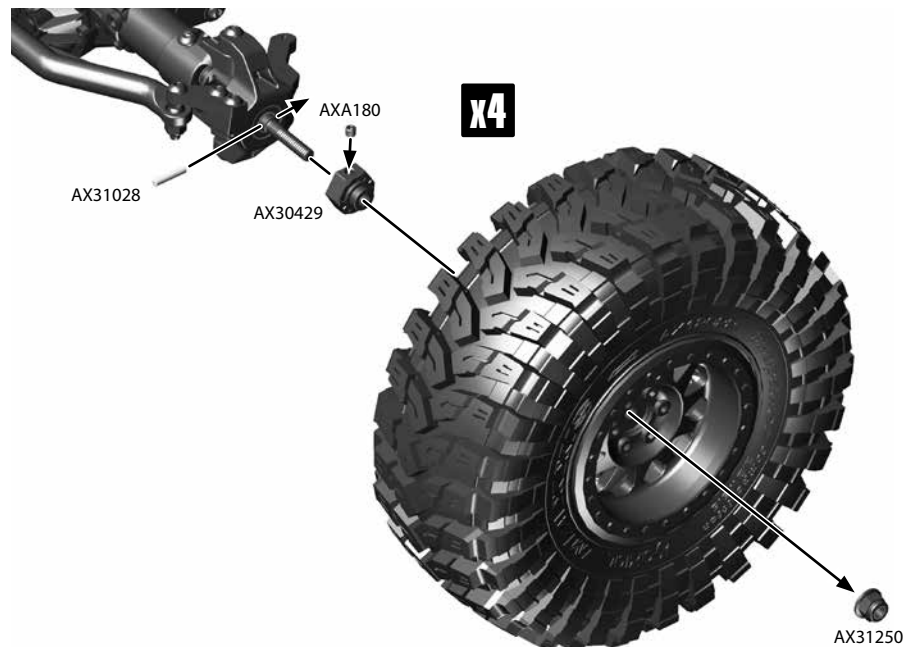
**AX31028**  
Pin 2.0x11mm **x4**



**AX31250**  
M4 Serrated Nylon Lock Nut (Black) **x4**



**AX30429**  
12mm Aluminum Hub (Black) **x4**

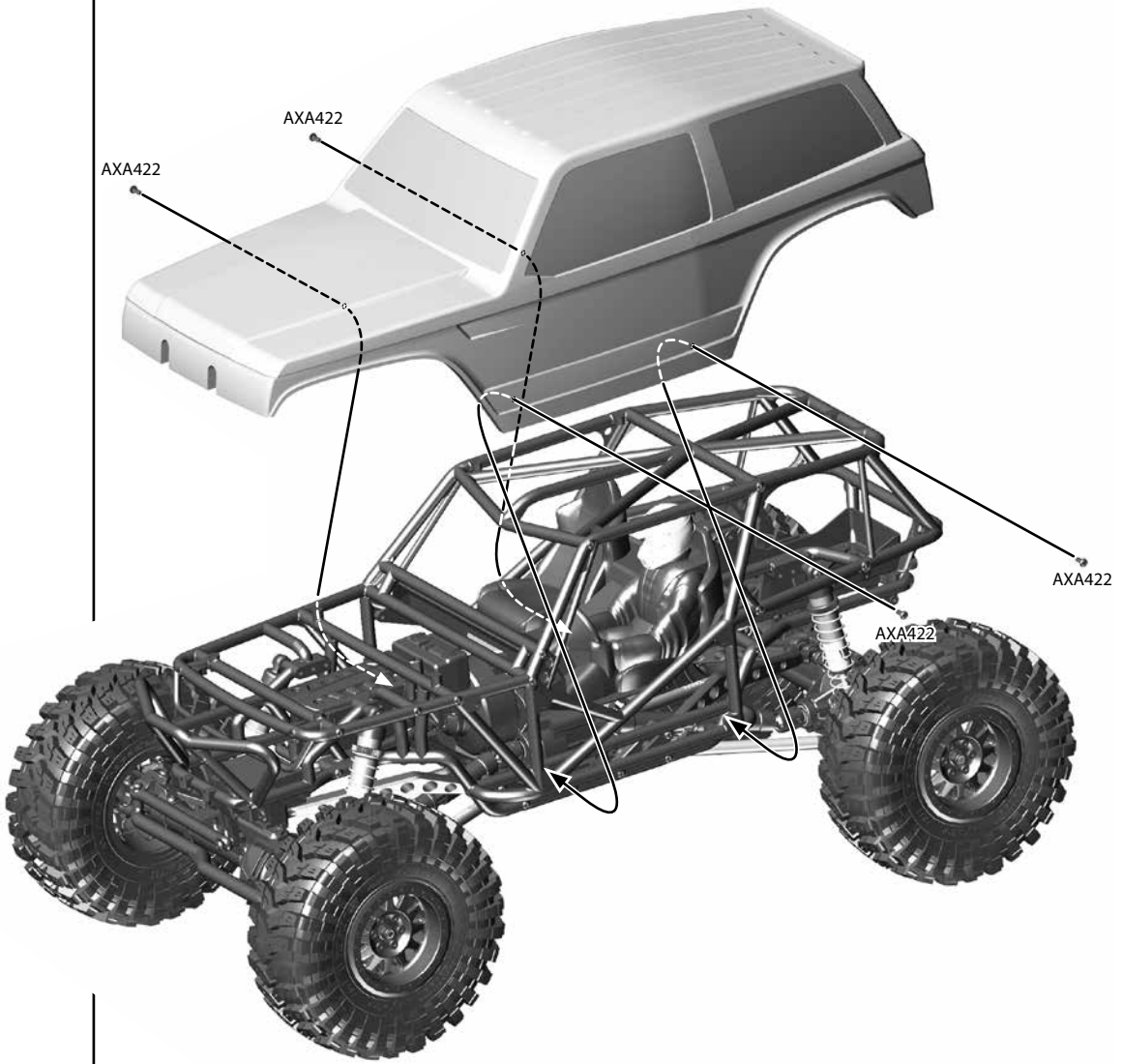
**44**



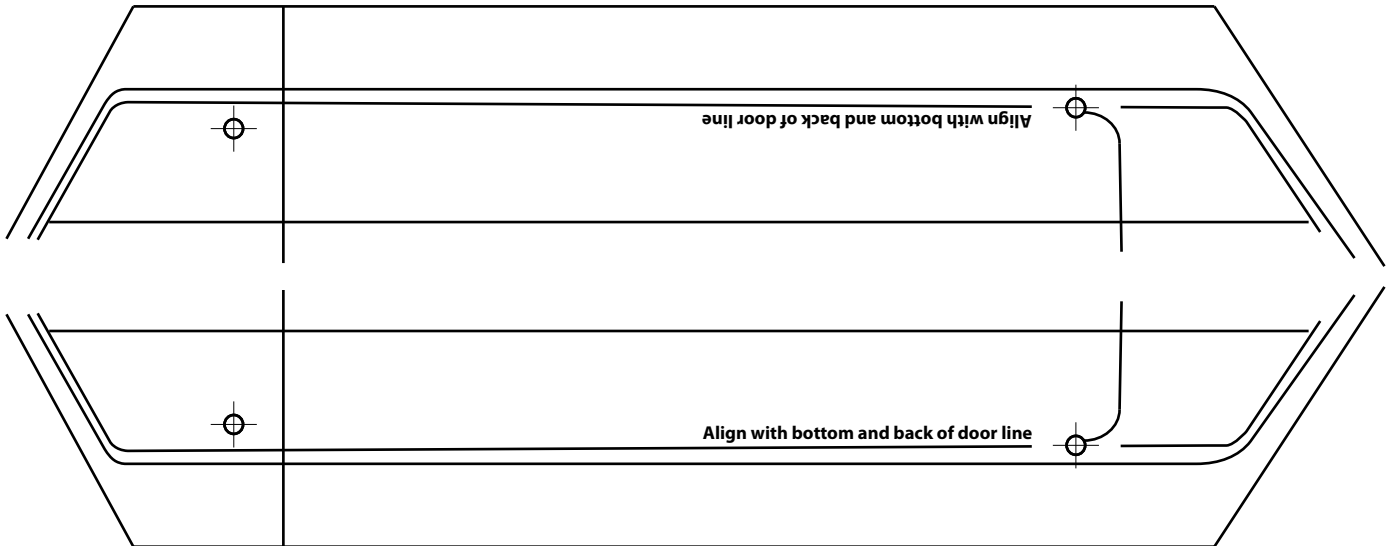
AXA0422  
M2.6x6mm

x4

45



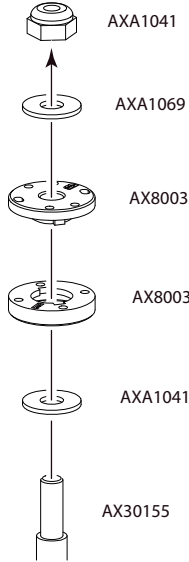
### Body Mounting Template





# Shock Tuning / Stossdämpferabstimmung

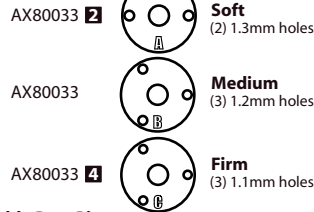
## Installation



## Pistons

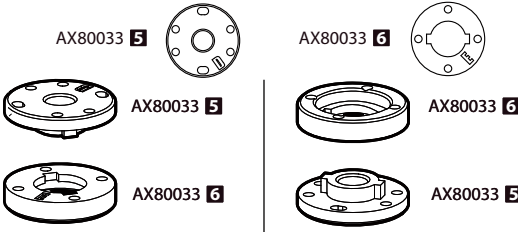
### Standard Pistons

Provides the same dampening rate on both compression and extension



### Variable Rate Pistons

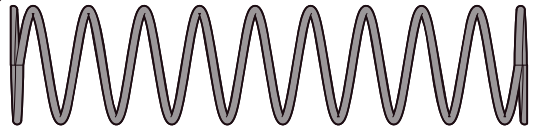
Provides a different dampening rate depending on which direction you install.



Install this direction for faster rebound and slower compression

Install this direction for Slower rebound and faster compression

## Springs/Oil



### Springs

Depending on the application you may want a firmer spring than what is included. Selecting a spring rate is based on each vehicles weight and handling and usually will require some trial and error.

For rock crawling applications it is recommended to use a stiffer spring on which ever corner is exhibiting torque twist.

### Oil

Oils are another element you can use to tune the handling of your vehicle. You want an oil that allows the vehicle to handle the terrain well, but not too thin as to exhibit a springy bounce while driving.

We recommend starting with a good 30 wt. silicone oil. If you are looking for a faster rebound/compression rate use a lower weight oil. If you are looking for a slower rebound/compression rate use a higher weight oil.



# Gear Ratio / Getriebeübersetzung

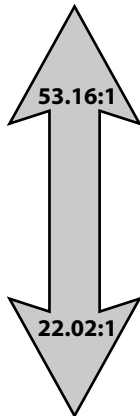
Use this equation to calculate the final drive ratio.

$$\text{Final Drive Gear Ratio} = (\text{Spur/Pinion}) \times 7.2$$

Mit dieser Gleichung können Sie die Gesamtübersetzung berechnen.

$$\text{Gesamtübersetzung} = (\text{Spur/Pinion}) \times 7.2$$

**Slower - More Torque**  
Langsamer - Mehr Kraft



**Faster - Less Torque**  
Schneller - Weniger Kraft

**\*NOTE: NOT ALL GEAR FITMENT OPTIONS ARE AVAILABLE**

### 32 Pitch 38/13T (Stock Gearing AX30392 or AX30395)

	Spur Gear			
Pinion	56	60	64	68
11	38.69	41.45	44.22	46.98
12	35.47	38.00	40.53	43.07
13	32.74	35.08	37.42	39.75
14	30.40	32.57	34.74	36.91
15	28.37	30.40	32.43	34.45
16	26.60	28.50	30.40	32.30
17	25.04	26.82	28.61	30.40

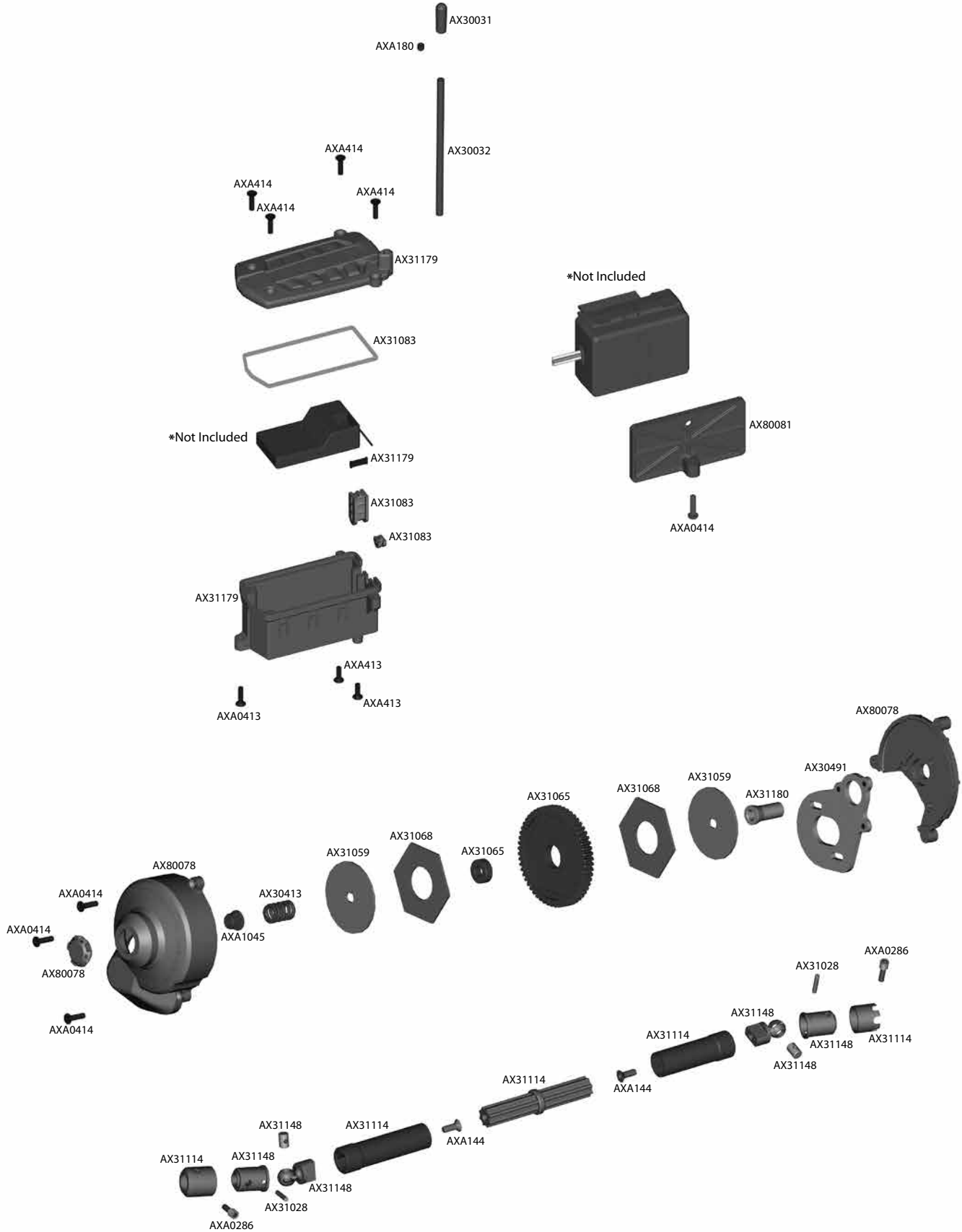
### 32 Pitch 36/14T (Overdrive Gearing AX30401)

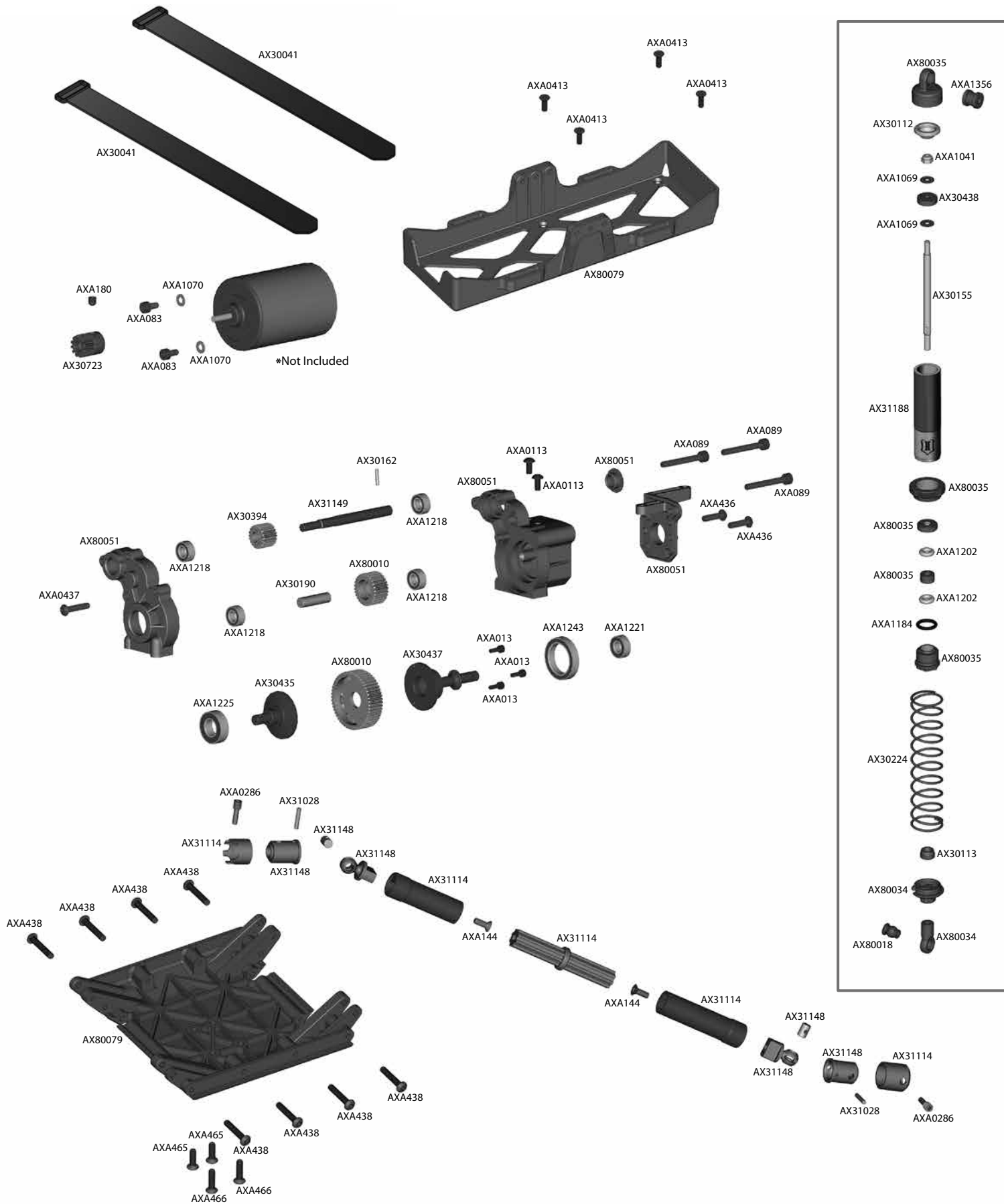
	Spur Gear			
Pinion	56	60	64	68
11	34.04	36.47	38.90	41.33
12	31.20	33.43	35.66	37.89
13	28.80	30.86	32.91	34.97
14	26.74	28.65	30.56	32.47
15	24.96	26.74	28.53	30.31
16	23.40	25.07	26.74	28.41
17	22.02	23.60	25.17	26.74

### 32 Pitch 43/13T (Underdrive Gearing AX30402)

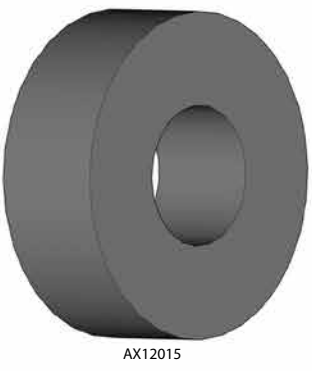
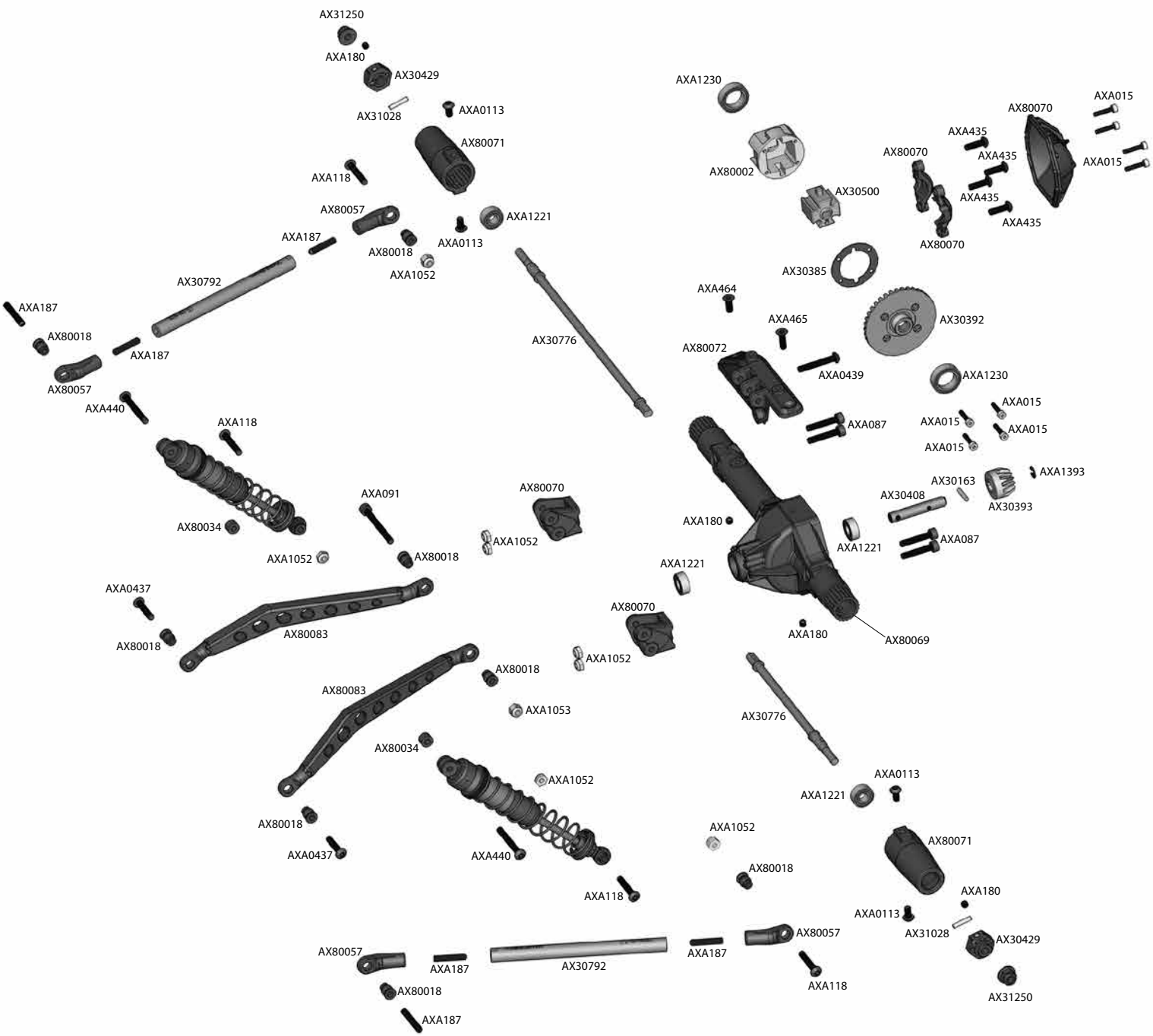
	Spur Gear			
Pinion	56	60	64	68
11	43.78	46.91	50.04	53.16
12	40.13	43.00	45.87	48.73
13	37.05	39.69	42.34	44.98
14	34.40	36.86	39.31	41.77
15	32.11	34.40	36.69	38.99
16	30.10	32.25	34.40	36.55
17	28.33	30.35	32.38	34.40

**Exploded View / Explosionsansicht / Vue éclatée**









## Parts List

Part #	Description	Part #	Description
AX12022	2.2 Maxxis Trepador Tires - R35 Compound (2pcs)	AX80089	Wraith Tube Frame Shock Mount (Front)
AX30031	Antenna	AX80131	Helmet Set
AX30041	Hook and Loop Strap 15x200mm	AXA0023	M2.6x8mm Cap Head (Black) (10pcs)
AX30112	Shock Diaphragm 13x4.5mm (6pcs)	AXA0109	M3x10mm Oversized Flat Hex Socket (Black) (10pcs)
AX30113	Rubber Bump Stop 3.6x7x4 (6pcs)	AXA0113	M3x6mm Hex Socket Button Head (Black) (10pcs)
AX30155	Shock Shaft 3x59.5 (2pcs)	AXA013	M2x6 mm Cap Head (Black) (10pcs)
AX30162	Pin 1.5x8mm (6pcs.)	AXA015	M2x10mm Cap Head (Black) (10pcs)
AX30163	Pin 2.0x10mm (6pcs.)	AXA0187	M3x20mm Set Screw (Black) (10pcs)
AX30190	Shaft 5x18 (2pcs.)	AXA0413	M2.6x8mm Hex Socket Tapping Flat Head (Black) (10pcs)
AX30218	Spring 14x70mm 2.07 lbs/in - Super Soft (Red) (2pcs)	AXA0414	M2.6x10mm Hex Socket Tapping Flat Head (Black) (10pcs)
AX30385	Diff Gasket 16x25x0.5mm (2pcs)	AXA0422	M2.6x6mm Hex Socket Tapping Button Head (Black) (10pcs)
AX30392	Bevel Gear Set (38/13)	AXA0437	M3x15mm Hex Socket Tapping Button Head (Black) (10pcs)
AX30394	20T Drive Gear	AXA0439	M3x20mm Hex Socket Tapping Button Head (Black) (10pcs)
AX30408	Input Shaft 5x29mm (2pcs)	AXA083	M3x6mm Cap Head (Black) (10pcs)
AX30413	Slipper spring 8.5x12 165 lbs/in - Black (2pcs)	AXA087	M3x16mm Cap Head (Black) (10pcs)
AX30429	12mm Aluminum Hub (Black) (4pcs)	AXA089	M3x25mm Cap Head (Black) (10pcs)
AX30435	Steel Outdrive Shaft Set (2pcs)	AXA091	M3x30mm Cap Head - Black (10pcs)
AX30437	Dig Lockout Shaft	AXA1041	M2.5 Nylon Locking Hex Nut - Silver (10pcs)
AX30438	Machined Shock Piston 10mm - 1.2x2 (4pcs)	AXA1045	M4 Nylon Lock Nut (Black) (10pcs)
AX30450	Flange Pipe 3x4.5x5.5 (4pcs)	AXA1052	M3 Thin Nylon Locking Hex Nut (Black)
AX30491	AX10 RTR Motor Plate	AXA1053	M3 Nylon Locking Hex Nut (Black) (10pcs)
AX30500	Heavy Duty Locker (2pcs)	AXA1069	Washer 2.7x6.7x0.5 (10pcs)
AX30723	Pinion Gear 32P 12T (3mm shaft)	AXA1070	Washer 3x6x0.5 (10pcs)
AX30776	AR60 OCP Rear Axle Set (2pcs)	AXA115	M3x10mm Hex Socket Button Head (Black) (10pcs)
AX30777	56x17mm Servo Plate	AXA116	M3x12mm Hex Socket Button Head - Black (10pcs)
AX30778	Zero Ackerman Steering Plate (2pcs)	AXA117	M3x15mm Hex Socket Button Head (Black) (10pcs)
AX30780	AR60 OCP Universal Axle Set	AXA1184	O-Ring 7.5x1.5mm (S8) - (10pcs)
AX30792	Threaded Aluminum Link 7x87.5mm - Grey (2pcs)	AXA1184	O-Ring 7.5x1.5mm (S8) - (10pcs)
AX30810	EXO™ Universal Joint Rebuild Set (Front or Rear) (2pcs)	AXA1202	O-Ring 3.5x2mm (10pcs)
AX31026	Slipper Plate Washer 33x5x1.5mm (2pcs)	AXA1218	Bearing 5x10x4mm (2pcs)
AX31027	Spur Gear 32P 56T	AXA1221	Bearing 5x11x4mm (2pcs)
AX31028	Pin 2.0x11mm (6pcs)	AXA1225	Bearing 8x16x5mm (2pcs)
AX31068	Slipper Pad 32.8x15.2x1mm (2pcs)	AXA1230	Bearing 10x15x4mm
AX31083	Radio Box Seals	AXA1243	Bearing 15x21x4mm (2pcs)
AX31114	WB8-HD Driveshaft	AXA1356	Silicone Shock Bushing 7.5x8mm (6pcs)
AX31148	WB8-HD Driveshaft Coupler Set	AXA1393	E2.5 e-clip (10pcs)
AX31149	Slipper Drive Gear Shaft 5x54.50mm	AXA144	M3x8mm Hex Socket Flat Head (Black) (10pcs)
AX31176	Spawn Body - .040" (Clear)	AXA180	M3x3mm Set Screw (Black) (10pcs)
AX31177	Wraith Interior Set - .040" (Clear)	AXA286	M3x16mm Set Screw (Black) (10pcs)
AX31178	2.2 Method Beadlock Wheels - IFD™ Wheels - Black(2pcs)	AXA291	M4x4mm Set Screw (Black) (6pcs.)
AX31179	Tube Frame Electronics Box	AXA433	M3x6mm Hex Socket Tapping Button Head - Black (10pcs)
AX31180	Aluminum Spur Gear Spacer	AXA434	M3x8mm Hex Socket Tapping Button Head (Black) (10pcs)
AX31188	Icon Aluminum Shock Body 12x47.5mm (2pcs)	AXA435	M3x10mm Hex Socket Tapping Button Head (Black) (10pcs)
AX31250	M4 Serrated Nylon Lock Nut (Black) (10pcs)	AXA436	M3x12mm Hex Socket Tapping Button Head (Black) (10pcs)
AX31266	IFD™ Hex Hub Adapter (2pcs Narrow, 2pcs Wide)	AXA438	M3x18mm Hex Socket Tapping Button Head (Black) (10pcs)
AX80002	Diff Case -Small	AXA440	M3x25mm Hex Socket Tapping Button Head (Black) (10pcs)
AX80006	Servo Set	AXA441	M3x30mm Hex Socket Tapping Button Head (Black) (10pcs)
AX80010	Gear Set	AXA464	M3x8mm Hex Socket Tapping Flat Head (Black) (10pcs)
AX80018	Hardware Parts Tree	AXA465	M3x10mm Hex Socket Tapping Flat Head (Black) (10pcs)
AX80034	10mm Shock Parts Tree 2	AXA466	M3x12mm Hex Socket Tapping Flat Head (Black) (10pcs)
AX80035	10mm Shock Caps Parts Tree		
AX80051	Dig Transmission Case		
AX80057	XR10 Linkage Set		
AX80061	XR10 Steering Knuckles Set		
AX80062	XR10 C Hub Carrier Set		
AX80069	AR60 OCP Axle Housing		
AX80070	AR60 OCP Differential Cover		
AX80071	AR60 OCP Straight Axle Adapter		
AX80072	AR60 OCP 4-Link Mount		
AX80073	AR60 OCP Steering Link		
AX80074	Wraith Tube Frame Rails		
AX80075	Wraith Tube Frame Top		
AX80076	Wraith Tube Frame Shock Mount (Rear)		
AX80077	Wraith Tube Frame Bumper		
AX80078	Transmission Spur Gear Cover		
AX80079	Wraith Tube Frame Skid Plate/Battery Tray		
AX80081	Wraith Tube Frame Electronics Box		
AX80082	Wraith Tube Frame Brace Set		
AX80083	Wraith Links Set		
AX80087	Wraith Tube Frame Side (Left)		
AX80088	Wraith Tube Frame Side (Right)		

## Option Parts

Part #	Description	Part #	Description
AX04027	Wraith Body - .040" (Clear)	AX30831	AR60 OCP™ Front Axle Set (Complete)
AX08061	2.2 VWS Beadlock Wheels (Black) (2pcs) (Fits XR10)	AX30834	Aluminum Servo Horn 23T
AX08069	2.2 VWS Beadlock Rings (Black) (2pcs)	AX30835	Aluminum Servo Horn 24T
AX08132	2.2 VWS Machined Beadlock Rings (Orange) (2pcs)	AX30836	Aluminum Servo Horn 25T
AX08133	2.2 VWS Machined Beadlock Ring (Grey) (2pcs)	AX30860	Machined Motor Plate (Hard Anodized)
AX08135	2.2 Raceline Renegade Wheels - 41mm Wide (Black) (2pcs)	AX31047	Brushless 3150KV Electric Motor
AX08137	2.2 Raceline Renegade Wheels - 41mm Wide (Chrome/Black) (2pcs)	AX31074	IFD™ Hex Hub Conversion Set (12mm) (4pcs)
AX08142	2.2 Trail Ready HD Series Beadlock w/Slim Ring - IFD™ Wheels - Chrome/Black(2pcs)	AX31077	2.2 Falken Wildpeak M/T - R35 Compound (2pcs)
AX12021	2.2 BFGoodrich Krawler T/A - R35 Compound (2pcs)	AX31097	3 Port High Output LED Controller
AX12022	2.2 Maxxis Trepador Tires - R35 Compound (2pcs)	AX31098	8 LED Light String (White LED)
AX24004	Axial 27T Electric Motor	AX31118	2.2 Walker Evans Wheels - IFD™ Wheels - Black(2pcs)
AX24007	Axial 55T Electric Motor	AX31138	Aluminum Shock Body 12x59mm (2pcs)
AX24010	Brushless 2900KV Electric Motor	AX31144	AE-5 Waterproof Forward/Reverse ESC w/ Drag Brake
AX24250	AE-1 Forward/Reverse ESC	AX31152	Universal Rigid Light Bar Set
AX24251	Axial NVS - Night Visions System	AX31155	Spring 14x90mm 1.14 lbs/in - Orange (2pcs)
AX24252	Axial Double LED Light String (White LED)	AX31188	Icon Aluminum Shock Body 12x47.5mm (2pcs)
AX24253	Axial Double LED Light String (Red LED)	AX31189	Icon Aluminum Shock Body 12x59mm (2pcs)
AX24254	Axial Double LED Light String (Orange LED)	AX31266	IFD™ Hex Hub Adapter (2pcs Narrow, 2pcs Wide)
AX24255	Axial Single LED Light String (White LED)	AX80045	Axial Light Bucket Set (Black)
AX24256	Axial 5 LED Light String (White LED)	AX80047	Interior Details Parts Tree - Chrome
AX24257	Simple LED Controller w/LED lights (4 white and 2 Red)	AX80049	Axial LED Lens Set - Yellow/Clear (4pcs)
AX24258	4 LED Light String (White LED)	AX80080	Corbeau LG1 Seat (Grey) (2pcs)
AX24259	Axial AE-2 Forward/Reverse ESC w/ Drag Brake	AX80085	Universal Mount 5 Bucket Light Bar (Black)
AX24260	AE-3 Vanguard ESC	AX80086	Light Bar Lenses (Clear) (5pcs)
AX30031	Antenna	AX8091	Axial 2.2 Rockster Beadlocks (Black)
AX30091	67-90mm Shock Set - 10mm Piston (2pcs)	AX8092	Axial 2.2 Rockster Beadlocks (Chrome)
AX30092	Axial 72-103mm Shock Set - 10mm Piston (2pcs)	AX8095	Axial 2.2 Rockster Beadlocks (Black Chrome)
AX30103	Icon 61-90mm Aluminum Shock Set - 7mm piston (2pcs)	AX8097	2.2 8 Hole Beadlocks (Black)
AX30110	Axial Aluminum 13mm Aluminum Preload Collar (2pcs)	AX8112	2.2 Beadlock Ring - Grey (2pcs)
AX30111	Axial Aluminum Shock Cap (2pcs)	AX8117	2.2 Rock Beadlock Ring - Grey (2pcs)
AX30119	Aluminum Shock Body 12x41.5mm (2pcs)	AXA1076	Cap Head Washer M3x10mm (4pcs)
AX30120	Axial Aluminum Shock Body 12x47.5mm (2pcs)	AXA1101	Cone Washer 3x6.9x2mm (6pcs)
AX30219	Spring 14x70mm 2.47 lbs/in - Soft (White) (2pcs)	AXA1104	Cone Washer 3x6.9x2mm - Orange (6pcs)
AX30220	Spring 14x70mm 2.85 lbs/in - Medium (Green) (2pcs)	AXA1105	Cone Washer 3x6.9x2mm - Grey (6pcs)
AX30221	Spring 14x70mm 3.27 lbs/in - Firm (Yellow) (2pcs)	AXA1331	Flanged Ball 3x5.8x7mm (6pcs)
AX30222	Spring 14x70mm 3.55 lbs/in- Super Firm (Blue) (2pcs)	AXA1412	0.5x6mm Spacer - Grey (6pcs)
AX30223	Spring 14x70mm 1.04 lbs/in - Black (2pcs)	AXA1413	1x6mm Spacer - Grey (6pcs)
AX30224	Spring 14x70mm 1.43 lbs/in - Purple (2pcs)	AXA1414	2x6mm Spacer - Grey (6pcs)
AX30225	Spring 14x70mm 1.75 lbs/in - Orange (2pcs)	AXA1415	3x6mm Spacer - Grey (6pcs)
AX30395	Heavy Duty Bevel Gear Set - 38T/13T	AXA1416	4x6mm Spacer - Grey (6pcs)
AX30401	Heavy Duty Bevel Gear Set - 36T/14T	AXA1417	5x6mm Spacer - Grey (6pcs)
AX30402	Heavy Duty Bevel Gear Set - 43T/13T	AXA1418	6x6mm Spacer - Grey (6pcs)
AX30414	AX10 Scorpion Slipper Clutch Set	AXA1419	7x10mm Post - Grey (2pcs)
AX30438	Machined Shock Piston 10mm - 1.2x2 (4pcs)	AXA1420	7x15mm Post - Grey (2pcs)
AX30465	Machined hi-clearance Links - Green (2pcs)	AXA1421	7x20mm Post - Grey (2pcs)
AX30468	Machined hi-clearance Links - Orange (2pcs)	AXA1422	7x25mm Post - Grey (2pcs)
AX30469	Machined Hi-Clearance Links - Grey (2pcs)	AXA1423	7x30mm Post - Grey (2pcs)
AX30482	AX10 Scorpion Motor Plate	AXA1424	7x35mm Post - Grey (2pcs)
AX30545	2.2 Internal Wheel Weight Ring 57g/2oz (2pcs)	AXA1425	7x40mm Post - Grey (2pcs)
AX30546	2.2 Internal Wheel Weight Insert 21g/0.75oz (4pcs) (for use with AX30545)	AXA1426	7x45mm Post - Grey (2pcs)
AX30569	Pinion 48P 14T - Steel	AXA1427	7x50mm Post - Grey (2pcs)
AX30571	Pinion 48P 13T - Steel	AXA1428	7x55mm Post - Grey (2pcs)
AX30572	Pinion 48DP 14T	AXA1429	7x60mm Post - Grey (2pcs)
AX30573	Pinion 48P 15T - Steel	AXA1430	7x65mm Post - Grey (2pcs)
AX30672	Spurs 48DP 87T	AXA1431	7x70mm Post - Grey (2pcs)
AX30708	AX10 Locked Transmission - Complete Metal Gear Set - Steel (3pcs)		
AX30760	XR10 Aluminum Steering Knuckle (Black) (2pcs)		
AX30762	XR10 Aluminum C-Hub Carrier (Black) (2pcs)		
AX30780	AR60 OCP Universal Axle Set		
AX30781	Sway Bar Kit Front (Soft, Medium, Firm)		
AX30782	Sway Bar Kit Rear (Soft, Medium, Firm)		
AX30786	WB8 Driveshaft Retainer Ring (Aluminum) (2pcs)		
AX30789	AR60 OCP Aluminum Straight Axle Hub Carrier (2pcs)		
AX30790	Machined Heavy Duty Aluminum Straight Link 101mm - Grey (2pcs)		
AX30791	Hi-Clearance Threaded Aluminum Link 7x85mm - Grey (2pcs)		
AX30792	Threaded Aluminum Link 7x87.5mm - Grey (2pcs)		
AX30793	Dig Component Set		
AX30794	WB8 Driveshaft Set (2pcs)		
AX30797	Wraith™ Stage 1 Aluminum Links Kit		
AX30829	AR60 OCP Machined Low-Profile Differential Cover		
AX30830	Axial AR60 OCP Machined Link Mounts		



# EXPLORE

[facebook.com/axialinc](https://facebook.com/axialinc) | [twitter.com/axialrc](https://twitter.com/axialrc) | [youtube.com/axialvideos](https://youtube.com/axialvideos) | [flickr.com/axialrc](https://flickr.com/axialrc)